

TK TELESCOPES

LabZZ!

by levenhuk

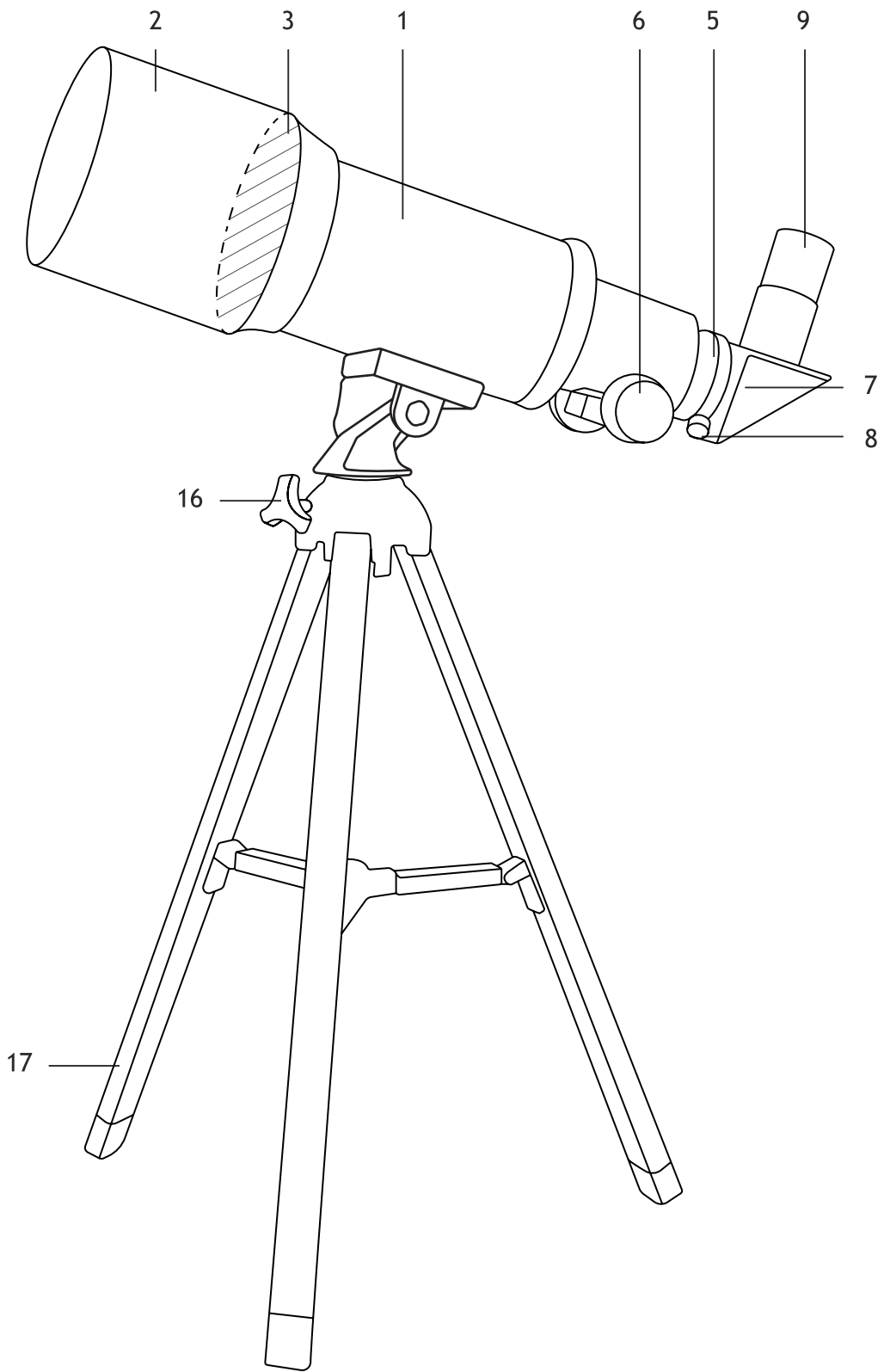
Levenhuk LabZZ TK50
Levenhuk LabZZ TK60
Levenhuk LabZZ TK76



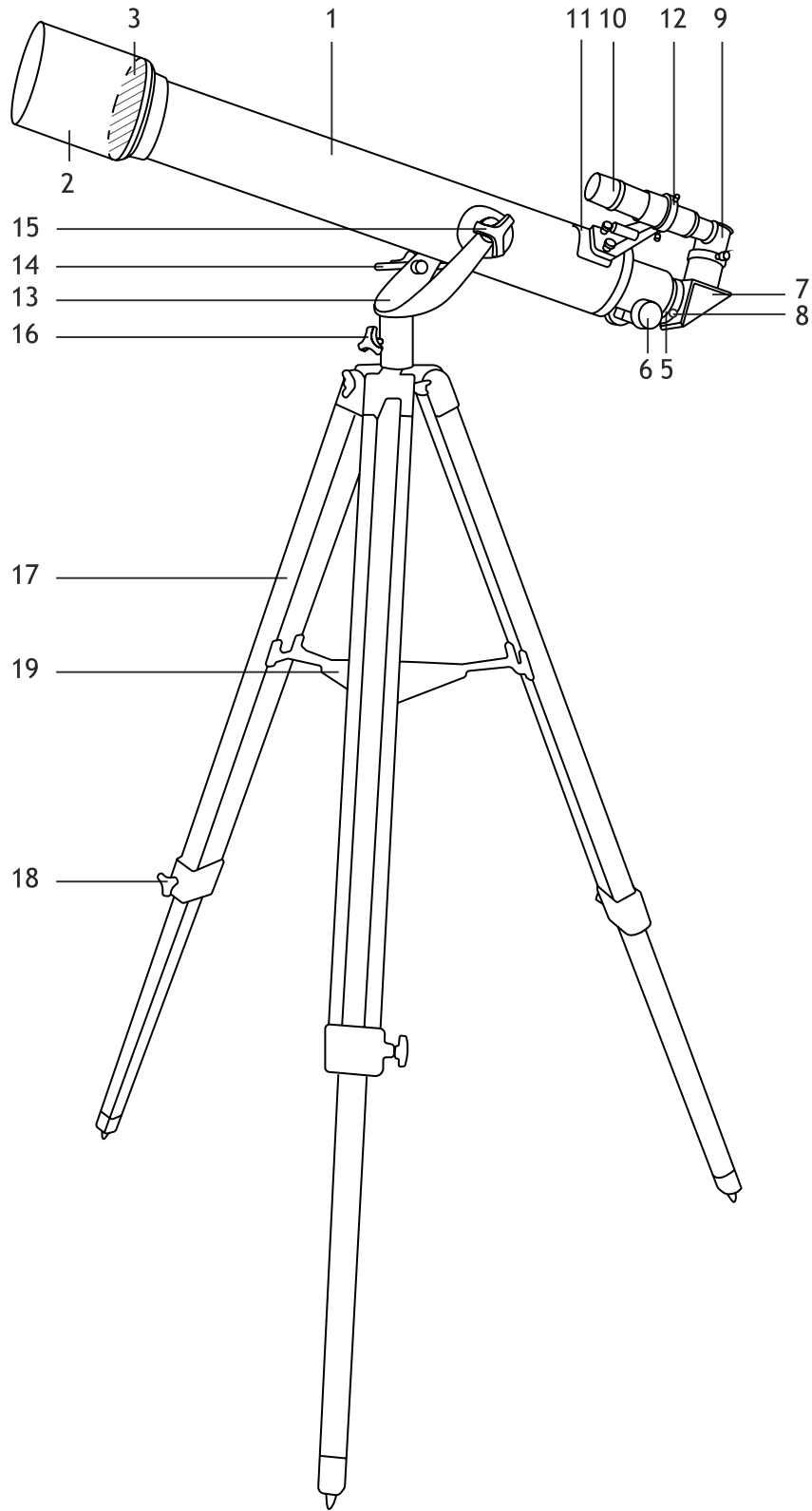
- Ⓔ User Manual
- Ⓕ Ръководство за потребителя
- Ⓒ Návod k použití
- Ⓓ Bedienungsanleitung
- Ⓔ Guía del usuario
- Ⓗ Használati útmutató
- Ⓘ Guida all'utilizzo
- Ⓟ Instrukcja obsługi
- Ⓟ Manual do usuário
- Ⓡ Инструкция по эксплуатации

levenhuk
Zoom&Joy

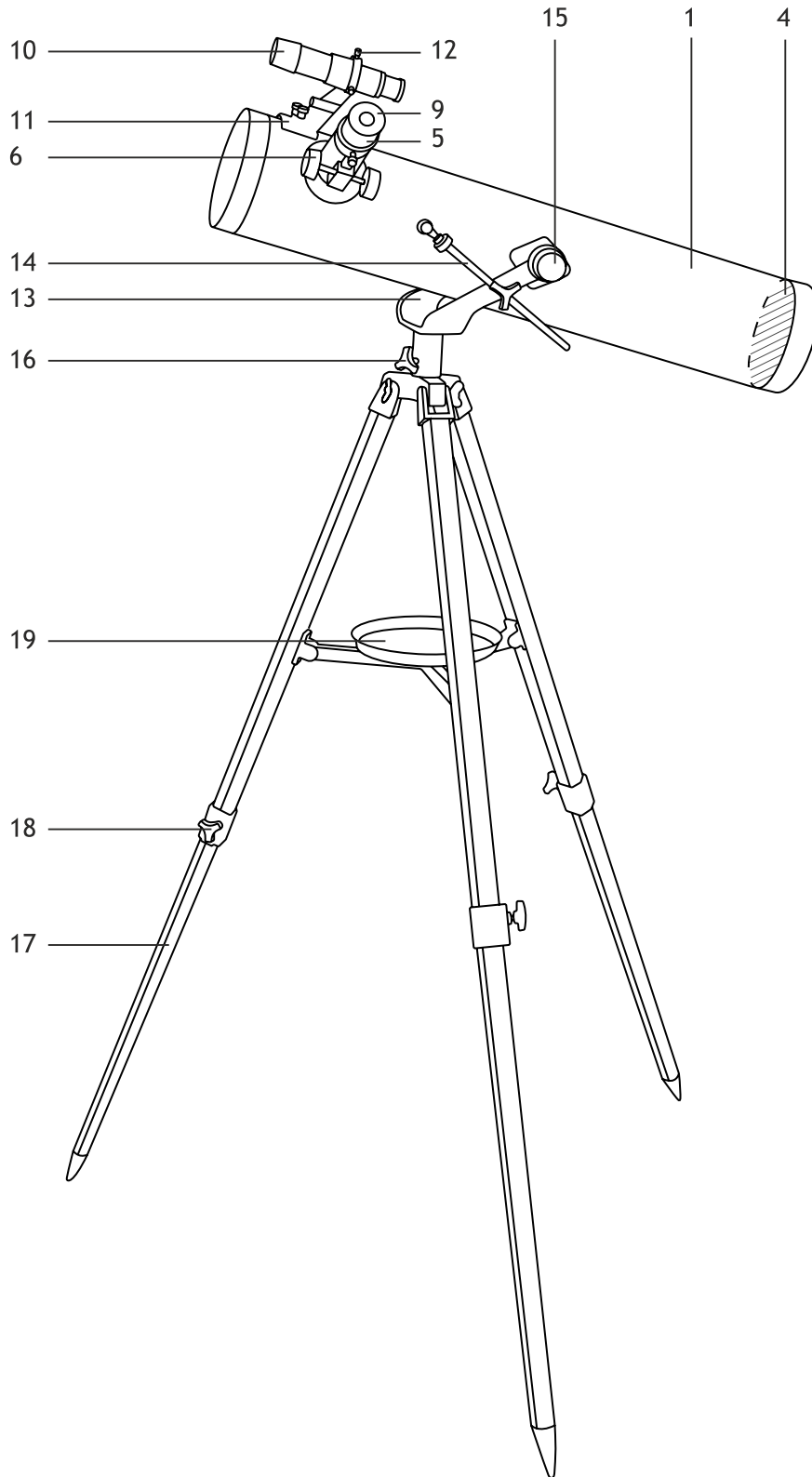
1a Levenhuk LabZZ TK50



1b Levenhuk LabZZ TK60



1c Levenhuk LabZZ TK76



EN

1. Telescope tube
2. Dew cap
3. Objective lens
4. Primary mirror
5. Focuser
6. Focusing knob
7. Diagonal mirror
8. Diagonal mirror thumbscrew
9. Eyepiece
10. Finderscope
11. Finderscope bracket
12. Finderscope adjustment screws
13. Fork mount
14. Altitude slow-motion control
15. Altitude lock knob
16. Azimuth lock knob
17. Tripod leg
18. Tripod lock knob
19. Accessory tray

BG

1. Тръба на телескопа
2. Защитна капачка срещу роса
3. Леща на обектива
4. Главно огледало
5. Фокусиращо устройство
6. Бутон за фокусиране
7. Диагонално огледало
8. Винт с накатка на диагоналното огледало
9. Окуляр
10. Визьор
11. Скоба на визьора
12. Винтове за регулиране на визьора
13. Монтировка с вилка
14. Управление за бавно движение по височина
15. Бутон за фиксиране на надморската височина
16. Бутон за фиксиране на азимут
17. Крак на триножника
18. Бутон за фиксиране на триножника
19. Поставка за принадлежности

CZ

1. Tubus teleskopu
2. Rosnice
3. Čočka objektivu
4. Primární zrcátko
5. Okulárový výtah
6. Zaostřovací šroub
7. Diagonální zrcátko
8. Křídlatý šroub diagonálního zrcátka
9. Okulár
10. Pointační dalekohled
11. Konzola pointačního dalekohledu
12. Šrouby seřízení hledáčku
13. Vidlicová montáž
14. Jemné nastavení elevace
15. Aretační šroub nastavení elevace
16. Aretační šroub nastavení azimutu
17. Noha stativu
18. Uzamykací šroub trojnožky
19. Příhradka na příslušenství

DE

1. Teleskoptubus
2. Taukappe
3. Objektivlinse
4. Primärspiegel
5. Fokussierer (Scharfsteller)
6. Fokussierrad
7. Zenitspiegel (Diagonalspiegel)
8. Zenitspiegel-Rändelschraube
9. Okular
10. Sucherrohr
11. Sucherteleskop-Halterung
12. Sucherteleskop-Einstellschrauben
13. Gabelmontierung
14. Höhen-Feinabstimmung
15. Höhen-Arretierung
16. Azimut-Arretierung
17. Stativbein
18. Stativfeststellknopf
19. Zubehörablage

ES

1. Tubo del telescopio
2. Protector de rocío
3. Lente del objetivo
4. Espejo principal
5. Enfocador
6. Mando de enfoque
7. Espejo diagonal
8. Tornillo de mariposa del espejo diagonal
9. Ocular
10. Buscador
11. Horquilla del buscador
12. Tornillos de ajuste del buscador
13. Montura de horquilla
14. Control de movimiento lento de altitud
15. Bloqueo de altitud
16. Bloqueo de azimut
17. Pata del trípode
18. Perilla de bloqueo del trípode
19. Bandeja de accesorios

HU

1. Teleszkóp tubus
2. Párafogó csésze
3. Tárgylencse
4. Elsődleges tükör
5. Fókuszállító
6. Fókuszállító gomb
7. Diagonális tükör
8. A diagonális tükörhöz való, kézzel állítható csavar
9. Szemlencse
10. Keresőtávcső
11. Keresőtávcső talpazata
12. A keresőtávcső állítására szolgáló csavarok
13. Villa alakú állvány
14. Magassági lassú mozgató vezérlő
15. Magassági szorítógomb
16. Azimut szorítógomb
17. Háromlábú állvány lába
18. Háromlábú állvány szorítógombja
19. Tartozékartó tálca

IT

1. Tubo del telescopio
2. Paraluce
3. Lente obiettivo
4. Specchio primario
5. Focheggiatore
6. Manopola della messa a fuoco
7. Diagonale a specchio
8. Vite a testa alettata del diagonale a specchio
9. Oculare
10. Cercatore
11. Supporto del cercatore
12. Vite di regolazione del cercatore
13. Montatura a forcella
14. Regolazione fine dell'altezza
15. Manopola di blocco dell'altezza
16. Manopola di bloccaggio azimutale
17. Gamba del treppiede
18. Manopola di blocco del treppiede
19. Vassoio degli accessori

PL

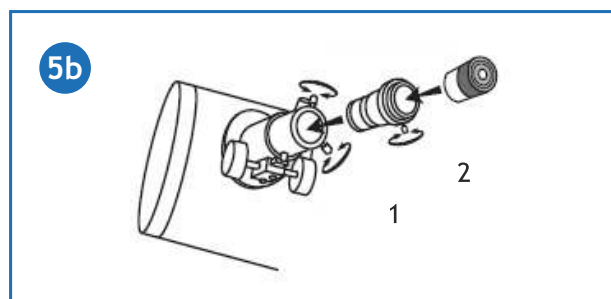
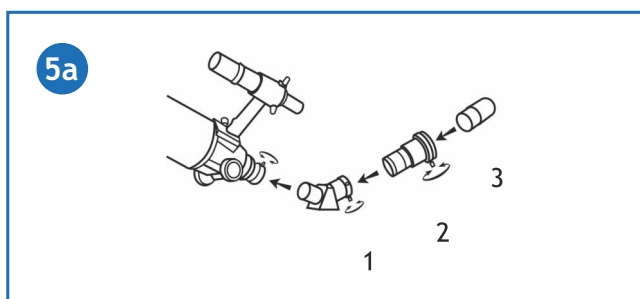
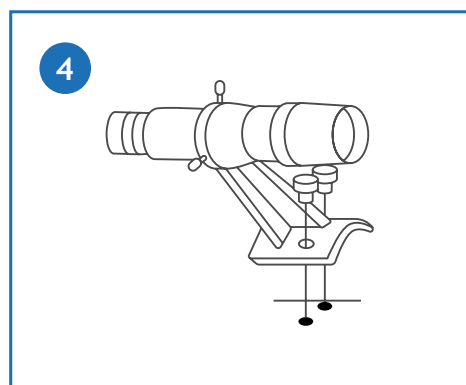
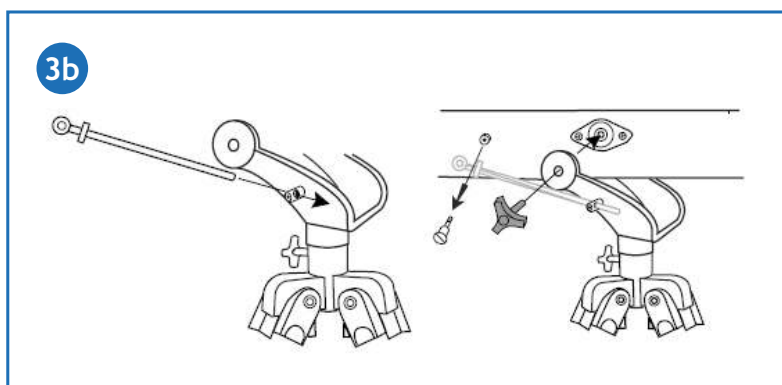
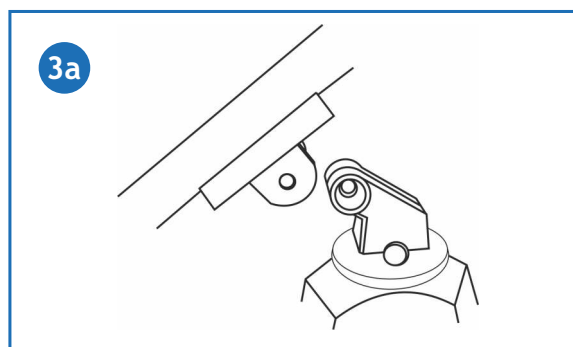
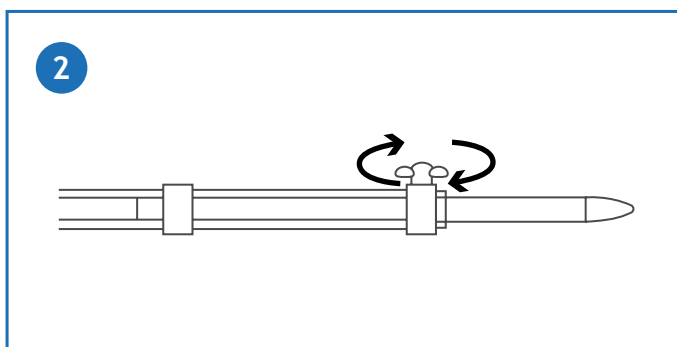
1. Tubus teleskopu
2. Odrośnik
3. Soczewka obiektywowa
4. Lustro główne
5. Wyciąg
6. Pokrętło ustawiania ostrości
7. Lustro diagonalne
8. Śruba radetkowana lustra diagonalnego
9. Okular
10. Luneta nastawcza
11. Wspornik lunety nastawczej
12. Śruby do regulacji lunety nastawczej
13. Montaż widłowy
14. Pokrętło mikroruchów w pionie
15. Pokrętło blokujące teleskop w pionie
16. Pokrętło blokujące teleskop w poziomie
17. Noga statywu
18. Pokrętło blokady statywu
19. Półka na akcesoria

PT

1. Tubo do telescópio
2. Tampa anti-humidade
3. Lente da objetiva
4. Espelho principal
5. Focalizador
6. Botão de focagem
7. Espelho diagonal
8. Parafuso do espelho diagonal
9. Ocular
10. Buscador
11. Suporte do buscador
12. Parafusos de ajuste do buscador
13. Montagem em garfo
14. Controlo de movimento lento de altitude
15. Botão de bloqueio da altitude
16. Botão de bloqueio do azimute
17. Perna do tripé
18. Botão de bloqueio do tripé
19. Tabuleiro de acessórios

RU

1. Труба телескопа
2. Бленда
3. Объектив
4. Главное зеркало
5. Фокусер
6. Ручка фокусировки
7. Диагональное зеркало
8. Фиксатор диагонального зеркала
9. Окуляр
10. Искатель
11. Крепление искателя
12. Юстировочные винты искателя
13. Хомут
14. Ручка регулировки по высоте
15. Фиксатор оси высоты
16. Фиксатор оси азимута
17. Ножка треноги
18. Фиксатор высоты ножек треноги
19. Лоток для аксессуаров



EN

1. Diagonal mirror
2. Barlow lens
3. Eyepiece

BG

1. Диагонално огледало
2. Леща на Барлоу
3. Окуляр

CZ

1. Diagonální zrcátko
2. Barlowova čočka
3. Okulár

DE

1. Diagonalspiegel
2. Barlow-Linse
3. Okular

ES

1. Espejo diagonal
2. Lente de Barlow
3. Ocular

HU

1. Diagonális tükrő
2. Barlow-lencse
3. Szemlencse

IT

1. Specchio diagonale
2. Lente di Barlow
3. Oculare

PL

1. Lustro ukośne
2. Soczewka Barlowa
3. Okular

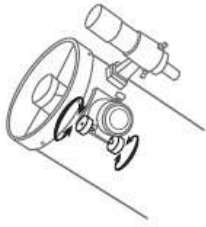
PT

1. Espelho diagonal
2. Lente de Barlow
3. Ocular

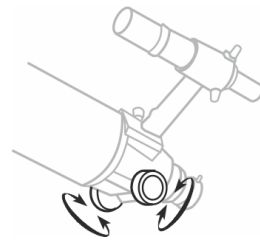
RU

1. Диагональное зеркало
2. Линза Барлоу
3. Окуляр

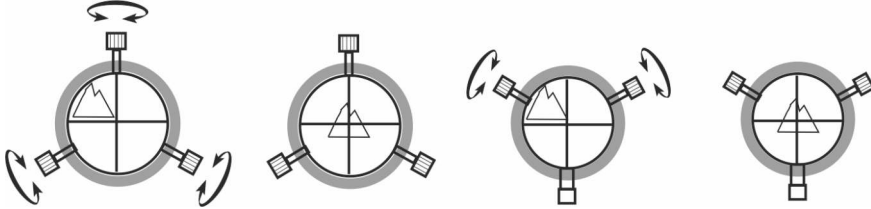
6a



6b



7



Dear friend!

Levenhuk LabZZ TK telescopes will open up the amazing world of exciting scientific discoveries! With the telescope in the kit you can study the Moon, planets and bright stars, unravel the mysteries of the endless Cosmos and observe the most distant objects. Your experience with Levenhuk LabZZ TK telescopes will be both informative and entertaining. Carefully read the entire manual before operating the telescope or microscope. Don't lose it; you might need it later.

Information for parents

Dear adults! Remember that you are responsible for your child at all times. Always ensure the child's safety when working with the telescope. Read this entire manual carefully, especially the handling and maintenance instructions. Even if your child is old enough and reads well, repeat all the rules aloud one more time before beginning to work with the instruments. Make sure that he or she clearly understands these instructions.

CAUTION! CHOKING HAZARD! These devices include small parts. The telescopes are designed for children over 5 years of age and should only be used under adult supervision.

Telescope's construction

1. **Objective lens.** The most important part of the telescope. The objective is a lens system that gathers light from the distant object and forms its image. The objective should always be pointed in the direction of the object you want to observe.
2. **Telescope tube.** Light rays collected by the objective travel down the optical tube to enter the eyepiece.
3. **Eyepiece.** You look at the Moon, planets and stars through the eyepiece. The eyepiece enlarges images of objects many times; that's why all objects look bigger than when observed with the naked eye.
4. **Dew cap.** The shade is a short tube that is put on the objective. It's needed to not let the light from street lamps, car lights, windows and other close-by light sources get in the objective and ruin the resulting image of the object you want to observe.
5. **Primary mirror.** One of the most important parts of the reflector. With the help of the main mirror, the light rays are collected in a single beam. This mirror is made of special glass and has a protective coating, so ensure that you do not touch it.
6. **Finderscope** is a small telescope that is attached to the tube of the big telescope. The finderscope has small magnification and wide field of view (the latter means that you can see larger areas at once). The finderscope is made to help you find the desired object more quickly and easily. After you've found the object using the finderscope, you can observe it in detail through the telescope.
7. **Finderscope bracket** is required to attach the finderscope to the telescope tube. **4**
8. **Finderscope adjustment screws** will help you to tune to the observed object as accurately as possible. Turn the screws so that the image is centered. **7**
9. **Fork mount** is used for the stable mounting of the telescope tube on the mount.
10. **Focuser** is a special device in which the eyepiece is inserted. The focuser is needed for bringing the eyepiece closer or farther from the objective. By doing so, you can achieve the maximum clarity of images.
11. If the image you see through the eyepiece isn't clear, rotate the **focusing knob** carefully. **6a 6b**
12. **Diagonal mirror.** If you want to observe objects high above your head, use the diagonal mirror so you don't have to throw your head back. The diagonal mirror is inserted in the focuser. It deflects light rays so you can observe from a more comfortable position.
13. **Altazimuth mount** is a special mechanism that allows you to move the telescope tube up-down and right-left.
14. **Azimuth lock knob** moves the tube horizontally.
15. **Altitude lock knob** is used to move the telescope tube vertically.
16. **Altitude slow-motion control** is used to fix the telescope after adjusting the position of the telescope vertically and it enables you to move the telescope tube more smoothly.
17. **Tripod.** The telescope should be very stable so the images you see don't shake. This is why the tube is installed on a special support – the tripod.
18. **Tripod lock knob** enables you to securely lock the tripod height after adjusting the leg height. Loosen the lock knob to extend or retract the tripod legs. Tighten the lock knob to fix the height of the tripod legs. **2**
19. **Accessory tray** is located between the legs of the tripod. You can put replacement eyepieces, a diagonal mirror, a Barlow lens, and other telescope accessories on it. The tray also helps stabilize the telescope.

How to assemble your telescope

It is very important to assemble the telescope correctly so it works the right way. Examine the telescope carefully. Try to remember the names of its parts, where each part goes and what it's needed for. It's better to assemble the telescope with adult help.

1. Open the box and put out all the parts. Double-check the box when it's empty – some small parts might still be in there.
2. Slowly loosen the tripod locking knobs and gently pull out the lower section of each tripod leg. Tighten the clamps to hold the legs in place. Spread the tripod legs apart to stand the tripod upright (except for LabZZ TK50).
3. Spread the tripod legs and install it on a flat surface so it is stable.
4. Place the accessory tray on top of the bracket, and secure it with thumbscrews from underneath. Attach the equatorial mount to the tripod head (except for LabZZ TK50).

Attention! Do not overtighten the screw as you may accidentally damage the screw thread.

- Loosen the finderscope mounting screws and slide it in the finderscope base. Carefully tighten the screws. The finderscope should be installed in a way so it points in the same direction as the telescope tube. To align the finderscope, choose a distant object that is at least 550 yards (500 meters) away and point the telescope at the object. Adjust the telescope so that the object is in the center of the view in your eyepiece. Check the finderscope to see if the object is also centered on the crosshairs. Use three adjustment screws to center the finderscope crosshairs on the object.

How to install the mount

Mount without a fork **3a**

- Remove the altitude lock knob from the mount head.
- Place the telescope optical tube on the altazimuth mount so that the hole in the optical tube lines up with the hole in the mount head.
- Insert the altitude lock knob through the mount head and optical tube. Make sure the hole is clear all the way through before tightening the knob. Secure the altitude lock knob.

Fork mount **3b**

- Remove the screw from the altitude slow-motion control.
- Insert the altitude slow-motion control into the side hole of the fork mount.
- Place the telescope tube between fork arms so that holes on the tube match the arm holes. Fasten the telescope tube to the mount with thumbscrews.
- Attach the other end of the altitude slow-motion control to the tube by connecting the screw holes of the altitude slow-motion control and the telescope tube.

How to work with the telescope

Before starting observations it is very important to install eyepieces and all additional parts correctly.

Focuser. Turn the focusing knob toward the telescope until it will not go farther. Then start turning the knob towards yourself slowly until the image is clear. **6a 6b** **Attention!** Before focusing the view (adjusting its sharpness), make sure that eyepiece is inserted in the focuser. Otherwise, you won't see an image.

Erecting Eyepiece. You will find the erecting eyepiece in the box with the telescope (except for LabZZ TK76). The erecting eyepiece can be used for lunar and planetary observations and you can also observe a great number of distant terrestrial objects with it such as buildings, towers, antennas and others!

Attention! The erecting eyepiece should be inserted directly into the focuser, without the diagonal mirror.

Diagonal mirror: Pull out the erecting eyepiece and insert the diagonal mirror into the focuser.

Eyepieces. After the diagonal mirror is inserted into the focuser, insert the eyepiece in it. It's better to start observing using an eyepiece with low magnification and wide field of view. It's better to start observing using an eyepiece with low magnification and wide field of view. **5a 5b**

Barlow lens. The Barlow Lens is used together with eyepieces to achieve maximum magnification. It expands the cone of the focused light before it reaches the focal point, so that the telescope's focal length appears longer to the eyepiece. In addition to increasing magnification, the benefits of using a Barlow lens include improved eye relief, and reduced spherical aberration of the eyepiece. For this reason, a Barlow plus a lens often outperform a single lens producing the same magnification. And the best advantage is that a Barlow lens can potentially double the number of eyepieces in your collection.

How to start observing

**CAUTION! Never look at the Sun and the sky around it through a telescope!
It can ruin eyesight and even cause blindness!**

Before you start exploring the Cosmos, you should learn to operate the telescope during the day. Use the erecting eyepiece to observe different terrestrial objects – houses, trees, antennas on the rooftops and many others! This way you will learn to control the telescope and focus on desired objects. Besides, it's a lot of fun!

Attention! The telescope should be used in a place protected from the wind.

When you get to observing the Moon, planets and stars at night, remember to choose locations away from street lamps, car lights and window lights. Try to observe on nights when the stars shine bright and evenly.

Point the telescope at the desired object, for example, the Moon. Looking through the finderscope, slowly move the tube until the object is in the center. Now look through the eyepiece and you will see the image of the object magnified many times!

When working with the telescope, be careful and patient. Don't push it and don't move it from its place. After some training you will learn to move the telescope tube without losing the object from the sight of the eyepiece.

Specifications

	LabZZ TK50	LabZZ TK60	LabZZ TK76
Optical design	refractor		Newtonian reflector
Optics material	optical glass with anti-reflective coating		
Aperture, mm	50	60	76
Focal length, mm	360	700	700
Highest practical power, x	100	120	152
Focal ratio	f/7	f/11.6	f/9
Tube material	metal		
Mount	azimuth (AZ)		
Eyepiece barrel diameter	0.965"		1.25"
Tripod	aluminium, 350mm	aluminium, 600–1000mm	
Accessory tray	–	+	
Finderscope	–	5x24, optical	
Eyepieces	6mm, 20mm	4mm, 12.5mm, 20mm	
Diagonal mirror	90°		–
Barlow lens	–	3x	2x
Erecting eyepiece	1.5x		–

The manufacturer reserves the right to make changes to the product range and specifications without prior notice.

Care and maintenance

- **Never, under any circumstances, look directly at the Sun through this device without a special filter, or look at another bright source of light or at a laser, as this may cause PERMANENT RETINAL DAMAGE and may lead to BLINDNESS.**
- Take necessary precautions when using the device with children or others who have not read or who do not fully understand these instructions.
- Do not try to disassemble the device on your own for any reason, including to clean the mirror. For repairs and cleaning of any kind, please contact your local specialized service center.
- Protect the device from sudden impact and excessive mechanical force.
- Do not touch the optical surfaces with your fingers. To clean the telescope exterior, use only special cleaning wipes and special optics cleaning tools from Levenhuk.
- Store the device in a dry, cool place away from hazardous acids and other chemicals, away from heaters, open fire and other sources of high temperatures.
- Replace the dust cap over the front end of the telescope whenever it is not in use. This prevents dust or dirt from settling on the mirror or lens surfaces.
- **Children should use the telescope under adult supervision only.**

Levenhuk International Lifetime Warranty

All Levenhuk telescopes, microscopes, binoculars and other optical products, except for accessories, carry a **lifetime warranty** against defects in materials and workmanship. Lifetime warranty is a guarantee on the lifetime of the product on the market. All Levenhuk accessories are warranted to be free of defects in materials and workmanship for **six months** from date of retail purchase. The warranty entitles you to free repair or replacement of the Levenhuk product in any country where a Levenhuk office is located if all warranty conditions are met.

For further details, please visit our web site: www.levenhuk.com/warranty

If warranty problems arise, or if you need assistance in using your product, contact the local Levenhuk branch.

Скъпи приятелю!

Телескопите Levenhuk LabZZ ТК ще разкрият забележителния свят на вълнуващи научни открития! С телескопа можете да изучавате Луната, планетите и ярките звезди, да разгадвате мистериите на безкрайния Космос и да наблюдавате най-отдалечените обекти. Вашето изживяване с Levenhuk LabZZ ТК ще бъде едновременно полезно и занимателно. Прочетете внимателно цялото ръководство, преди да пристъпите към работа с телескопа или микроскопа. Не го губете- може да Ви трябва по-късно.

Информация за родителите

Скъпи възрастни! Не забравяйте, че Вие сте отговорни за детето си по всяко време. Винаги осигурявайте безопасността на детето при работа с телескопа. Прочетете внимателно цялото ръководство, по-специално инструкциите за работа и поддръжка.

Дори ако детето Ви е достатъчно голямо и чете добре, повторете всички правила на глас още веднъж, преди да започнете работа с инструментите. Уверете се, че детето ясно разбира тези инструкции.

!ОПАСНОСТ ОТ ЗАДАВЯНЕ! Тези устройства съдържат малки части. Телескопите са предназначени за деца на възраст над 5 години и трябва да се използват само под надзора на възрастен.

Части на телескопа

1. **Лещи на обектива.** Най-важната част на телескопа. Обективът е система от лещи, която събира светлина от отдалечения обект и образува неговото изображение. Обективът трябва винаги да бъде насочен в посоката на обекта, който искате да наблюдавате.
2. **Тръба на телескопа.** Светлинните лъчи, събрани от обектива, преминават надолу през оптичната тръба, за да влязат в окуляра.
3. **Окуляр.** Вие гледате Луната, планетите и звездите през окуляра. Окулярът уголемява изображенията на обектите многократно. По тази причина всички обекти изглеждат по-големи, отколкото при наблюдаване с невъоръжено око.
4. **Защитна капачка срещу роса.** Засенчващият елемент е къса тръба, която се поставя върху обектива. Тя е необходима, за да не прониква светлината от уличните лампи, светлините на автомобилите, прозорците и други близки светлинни източници в обектива и да влошават полученото изображение на обекта, който искате да наблюдавате.
5. **Главно огледало.** Една от най-важните части на рефлекторния телескоп. С помощта на главното огледало светлинните лъчи се събират в единичен лъч. Това огледало е произведено от специално стъкло и има защитно покритие, така че внимавайте да не го докосвате.
6. **Визьор** – това е малък телескоп, който е прикрепен към тръбата на големия телескоп. Визьорът има малко увеличение и широко зрително поле (последното означава, че можете да виждате по-големи области наведнъж). Визьорът има за цел да Ви помогне да намирате желаните обект по-бързо и по-лесно. След като намерите обекта с помощта на визьора, можете да го наблюдавате детайлно през телескопа.
7. **Скоба на визьора** е необходима за прикрепяне на визьора към тръбата на телескопа. **4**
8. **Винтовете за регулиране на визьора** ще Ви помогнат за възможно най-точно насочване към наблюдавания обект. Въртете винтовете по такъв начин, че изображението да се центрира. **7**
9. **Вилковата монтировка** се използва за стабилно закрепване на тръбата на телескопа върху монтировката.
10. **Фокусиращо устройство** – това е специално устройство, в което се поставя окулярът. Фокусиращото устройство е нужно за преместване на окуляра по-близо до или по-далече от обектива. Това се прави, за да можете да постигате максимална яснота на изображенията.
11. Ако изображението, което виждате през окуляра, не е ясно, завъртете внимателно **бутона за фокусиране**. **6a 6b**
12. **Диагонално огледало.** Ако искате да наблюдавате обекти, които са високо над главата Ви, използвайте диагоналното огледало, за да не се налага да отмятате главата си назад. Диагоналното огледало е поставено във фокусиращото устройство. То отклонява светлинните лъчи по такъв начин, че да можете да наблюдавате от по-удобна позиция.
13. **Азимутална монтировка** – това е специален механизъм, който Ви дава възможност да движите тръбата на телескопа нагоре-надолу и наляво-надясно.
14. **Бутон за фиксиране на азимут** движи тръбата хоризонтално.
15. **Бутон за фиксиране на надморската височина** движи тръбата на телескопа вертикално.
16. **Управлението за бавно движение по височина** се използва за фиксиране на телескопа след вертикалното регулиране на позицията му и Ви позволява да местите тръбата на телескопа по-плавно.
17. **Триножник.** Телескопът трябва да е много стабилен, за да не трептят гледаните от Вас изображения. По тази причина тръбата се монтира на специална опора – триножник.
18. **Бутонът за фиксиране на триножника** Ви позволява надеждно фиксиране на височината на триножника, след като сте регулирали височината на краката. Развийте бутона за фиксиране, за да удължите или приберете краката на триножника. Затегнете бутона за фиксиране, за да фиксирате височината на краката на триножника. **2**
19. **Поставката за принадлежности** се намира между краката на триножника. Можете да поставите резервни окуляри, диагонално огледало, леща на Барлоу и други принадлежности за телескопи в нея. Поставката също помага за стабилизиране на телескопа.

Как да сглобите телескопа си

Много е важно да сглобите телескопа правилно, за да работи, както трябва. Изучете телескопа внимателно. Опитайте се да запомните наименованията на неговите части, къде се поставя всяка част и за какво се използва. По-добре е телескопът да се сглоби с помощта на възрастен.

1. Отворете кутията и извадете всички части. Проверете кутията още веднъж, когато е празна – възможно е някои малки части да са все още в нея.
2. Разхлабете внимателно застопоряващите бутони на триножника и издърпайте внимателно долната секция на всеки от краката на триножника. Затегнете винтовете, за да застопорите краката. Отдалечете краката на триножника, за да се разположи триножникът във вертикално положение (с изключение на LabZZ TK50).
3. Разтворете краката на триножника и го поставете на равна повърхност, за да е стабилен.
4. Поставете поставката за принадлежности върху скобата и я закрепете отдолу с винтовете с глава с накатка. Закрепете екваториалната монтировка към главата на триножника (с изключение на LabZZ TK50).
Внимание! Не затягвайте прекомерно винта, тъй като може случайно да повредите резбата му.
5. Разхлабете монтажните винтове на визьора и го плъзнете в основата на визьора. Внимателно затегнете винтовете. Визьорът трябва да бъде монтиран така, че да сочи в същата посока като тръбата на телескопа. За да подравните визьора, изберете отдалечен обект, който е най-малко на 500 метра от Вас, и насочете телескопа към него. Регулирайте телескопа по такъв начин, че обектът да се намира в средата на полето на обзор на окуляра. Погледнете през визьора, за да видите дали обектът е центриран също и върху кръстосаната решетка. Използвайте трите регулиращи винта, за да центрирате кръстосаната решетка на визьора върху обекта.

Как се сглобява монтировката

Монтировка без вилка 3a

- Отстранете бутона за фиксиране на надморската височина от главата на монтировката.
- Поставете оптичната тръба на телескопа върху азимуталната монтировка по такъв начин, че отворът в оптичната тръба да се подравни с отвора в главата на монтировката.
- Вкарайте бутона за фиксиране на надморската височина през главата на монтировката и оптичната тръба. Уверете се, че отворът е свободен по цялата си дължина, преди да затегнете бутона. Застопорете бутона за фиксиране на надморската височина.

Монтировка с вилка 3b

- Демонтирайте винта от управлението за бавно движение по височина.
- Вкарайте управлението за бавно движение по височина в страничния отвор на вилковата монтировка.
- Поставете тръбата на телескопа между рамената на вилката, така че отворите на тръбата да съвпадат с отворите в рамената. Закрепете тръбата на телескопа към монтировката с винтове с глава с накатка.
- Закрепете другия край на управлението за бавно движение по височина към тръбата чрез свързване на отворите за винтове на управлението за бавно движение по височина и тръбата на телескопа.

Как се работи с телескопа

Преди да започнете наблюдения, е много важно да монтирате правилно окулярите и всички допълнителни части.

Фокусиращо устройство: Завъртете бутона за фокусиране към телескопа, докато не може да се движи повече. След това започнете бавно да въртите бутона към Вас, докато изображението не стане ясно. 6a 6b **Внимание!** Преди да фокусирате изгледа (да регулирате остротата му), се уверете, че окулярът е вкаран във фокусиращото устройство. В противен случай няма да видите изображение.

Изваждащ се окуляр: В кутията с телескопа ще намерите окуляр за прав образ (с изключение на LabZZ TK76).

Окулярът за прав образ може да се използва за наблюдения на Луната и планетите, а с него можете да наблюдавате и най-различни далечни наземни обекти, като например сгради, кули, антени и други!

Внимание! Окулярът за прав образ трябва да се вкара директно във фокусиращото устройство без диагонален огледало.

Диагонално огледало: Издърпайте окуляра за прав образ и поставете диагонален огледало във фокусиращото устройство.

Окуляр: След като диагонален огледало се постави във фокусиращото устройство, вкарайте в него окуляра. По-добре е да започнете наблюденията с окуляр с малко увеличение и широко зрително поле. 5a 5b

Леща на Барлоу. Лещата на Барлоу се използва заедно с окулярите за постигане на максимално увеличение. Тя разширява конуса на фокусираната светлина, преди да достигне до фокусната точка, така че фокусната дължина на телескопа се явява по-дълга към окуляра. Освен повишеното увеличение, предимствата на използването на леща на Барлоу включват подобрено разстояние от очите и намалена сферична aberация на окуляра. Поради това Барлоу плус често превъзхожда използването на една леща, предоставяйки същото увеличение. Най-голямото предимство е, че лещата на Барлоу може потенциално да удвои броя окуляри в колекцията Ви.

Как да започнем да наблюдаваме

**ВНИМАНИЕ! Никога не гледайте на слънцето и небето около него през телескоп!
Може да съсипе зрението и дори да причини слепота!**

Преди да пристъпите към изследването на Космоса, трябва да се научите как да работите с телескопа праз деня. Използвайте окуляра за прав образ, за да наблюдавате различни наземни обекти – къщи, дървета, антени по

покривите и много други! По този начин ще се научите да контролирате телескопа и да се фокусирате върху желаните обекти. Освен това е страшно забавно!

Внимание! Телескопът трябва да се използва на защитено от вятъра място.

Когато стигнете до наблюдение на Луната, планетите и звездите през нощта, не забравяйте да избирате места, далече от уличните лампи, светлините на автомобилите и светлините на прозорците. Опитайте да наблюдавате по време на нощи, когато звездите светят ярко и равномерно.

Насочете телескопа към желанния обект – например Луната. Докато гледате през визьора, бавно придвижете тръбата, докато обектът не застане в центъра. Сега погледнете през окуляра и ще видите изображението на обекта с многократно увеличение!

Когато работите с телескопа, бъдете внимателни и търпеливи. Не го бутайте и не го местете от мястото му. След известно обучение ще се научите да движите тръбата на телескопа, без да губите обекта от полето на окуляра.

Спецификации

	LabZZ TK50	LabZZ TK60	LabZZ TK76
Оптична конструкция	рефракторен телескоп		Нютонов рефлекторен телескоп
Материал на оптиката	оптично стъкло с антирефлексно покритие		
Апертура, mm	50	60	76
Фокусно разстояние, mm	360	700	700
Най-голямо практическо увеличение, x	100	120	152
Фокусно отношение	f/7	f/11,6	f/9
Материал на тръбата	метал		
Монтировка	азимут (AZ)		
Диаметър на тръбата на окуляра	0,965"		1,25"
Триножник	от алуминий, 350 mm	от алуминий, 600–1000 mm	
Поставка за принадлежности	–	+	
Визьор	–	5x24, оптичен	
Окуляри	6 mm, 20 mm	4 mm, 12,5 mm, 20 mm	
Диagonalно огледало	90°		–
Леща на Барлоу	–	3x	2x
Изваждащ се окуляр	1,5x		–

Производителят си запазва правото да прави промени на гамата продукти и спецификациите им без предварително уведомление.

Грижи и поддръжка

- Никога, при никакви обстоятелства, не гледайте директно към Слънцето през това устройство без специален филтър и не гледайте в друг ярък източник на светлина или лазер, тъй като това може да причини **НЕВЪЗВРАТИМО УВРЕЖДАНЕ НА РЕТИНАТА** и може да доведе до **СЛЕПОТА**.
- Предприемете необходимите превантивни мерки при използване на това устройство от деца или други, които не са прочели или които не са разбрали напълно тези инструкции.
- Не се опитвайте да разглобявате устройството сами по никаква причина, включително и за почистване на огледалото. За ремонти и почистване, моля, обръщайте се към местния специализиран сервизен център.
- Предпазвайте устройството от внезапни удари и прекомерна механична сила.
- Не пипайте оптичните повърхности с пръсти. За почистване на телескопа отвън, използвайте само специални кърпички и течности за почистване на оптика от Levenhuk.

- Съхранявайте устройството на сухо и хладно място, далеч от опасни киселини и други химикали, далеч от отоплителни уреди, открит огън и други източници на високи температури.
- Поставайте капачката против прах върху предния край на телескопа всеки път, когато не го използвате. Това предотвратява наслагването на прах и замърсявания върху повърхностите на огледалото и лещата.
- Децата трябва да използват телескопа само под надзора на възрастни.

Международна доживотна гаранция от Levenhuk

Всички телескопи, микроскопи, бинокли и други оптични продукти от Levenhuk, с изключение на аксесоарите, имат **доживотна гаранция** за дефекти в материалите и изработката. Доживотната гаранция представлява гаранция, валидна за целия живот на продукта на пазара. За всички аксесоари Levenhuk се предоставя гаранция за липса на дефекти на материалите и изработката за период от **две години** от датата на покупка на дребно. Levenhuk ще ремонтира или замени всеки продукт или част от продукт, за които след проверка от страна на Levenhuk се установи наличие на дефект на материалите или изработката. Задължително условие за задължението на Levenhuk да ремонтира или замени такъв продукт е той да бъде върнат на Levenhuk заедно с документ за покупка, който е задоволителен за Levenhuk.

За повече информация посетете нашата уебстраница: www.levenhuk.bg/garantsiya

Ако възникнат проблеми с гаранцията или ако се нуждаете от помощ за използването на Вашия продукт, свържете се с местния представител на Levenhuk.

Vážení přátelé!

Teleskopy Levenhuk LabZZ TK vám zpřístupní úžasný svět vědeckých objevů! Pomocí teleskopu v sadě můžete studovat Měsíc, planety a jasné hvězdy, odhalovat záhady nekonečného vesmíru a pozorovat nejvzdálenější objekty. Vaše zážitky Levenhuk LabZZ TK budou poučné i zábavné.

Před zahájením práce s teleskopem si pozorně přečtěte celý návod. Neztrat'te jej, může se vám později hodit.

Informace pro rodiče

Vážení dospělí! Nezapomínejte na to, že za své děti vždy odpovídáte vy sami. Při práci s mikroskopem nebo teleskopem neustále dbejte na bezpečnost dítěte. Pozorně si přečtěte celý návod, zejména pokyny týkající se manipulace a údržby. I když je vaše dítě dostatečně staré a dobře čte, zopakujte mu před zahájením práce s přístrojem ještě jednou všechny pokyny. Ujistěte se, že tyto pokyny dobře chápe.

POZOR! NEBEZPEČÍ UDUŠENÍ! Přístroje obsahují malé součásti. Teleskopy jsou určeny pro děti ve věku nad 5 let a měly by se používat pouze pod dohledem dospělé osoby.

Konstrukce teleskopu

1. **Objektiv.** Nejdůležitější součást teleskopu. Objektiv je systém čoček, které zachycují světlo přicházející ze vzdáleného objektu a utvářejí jeho obraz. Objektiv je potřeba vždy namířit směrem k objektu, který chcete pozorovat.
2. **Tubus teleskopu.** Světelné paprsky zachycené objektivem putují optickým tubusem směrem dolů a vstupují do okuláru.
3. **Okulár.** Přes okulár se díváte na Měsíc, planety a hvězdy. Okulár mnohonásobně zvětšuje obraz pozorovaného objektu. Proto se všechny objekty jeví větší, než když je pozorujeme pouhým okem.
4. **Rosnice.** Tato clona je krátká trubice umístěná na tubus. Je potřebná k odstínění světla z pouličního osvětlení, reflektorů vozidel, osvětlených oken a jiných blízkých světelných zdrojů, aby neproniklo do objektivu a nezničilo výsledný obraz objektu, který chcete pozorovat.
5. **Primární zrcátko.** Jedna z nejdůležitějších částí reflektoru. S pomocí primárního zrcátka jsou světelné paprsky shromážděny do jediného světelného kuželu. Toto zrcátko je vyrobeno ze speciálního skla a má ochrannou vrstvu, proto se jej nikdy nedotýkejte.
6. **Pointační dalekohled** je se o malý dalekohled připojený k tubusu velkého teleskopu. Hledáček má malé zvětšení a široké zorné pole (to znamená, že můžete v jednom záběru pozorovat velké oblasti). Slouží k tomu, aby vám pomohl jednodušeji a rychleji najít požadovaný objekt. Jakmile objekt zaměříte hledáčkem, můžete jej detailně pozorovat teleskopem.
7. **Držák pointačního dalekohledu** je potřeba k jeho připevnění na tubus teleskopu. **4**
8. **Seřizovací šrouby pointačního dalekohledu** vám pomohou vést nejpřesnější možné zaměření pozorovaného objektu. Otočte šrouby tak, aby byl pozorovaný objekt vycentrován. **7**
9. **Vidlicová montáž** se používá pro stabilní připevnění tubusu teleskopu na montáž.
10. **Okulárový výtah** je speciální zařízení, do něhož se vkládá okulár. Okulárový výtah slouží k přiblížení nebo oddálení okuláru od objektivu. Díky tomu můžete dosáhnout maximální čistoty obrazu.
11. **Není-li obraz, který vidíte v okuláru čistý, opatrně pootočte zaostřovacím šroubem.** **6a 6b**
12. **Diagonální (neboli zenitové) zrcátko.** Pokud chcete pozorovat objekty vysoko nad hlavou, použijte diagonální (někdy označované jako zenitové) zrcátko, abyste nemuseli příliš zaklánět hlavu. Diagonální zrcátko se vkládá do okulárového výtahu. Odklání světelné paprsky tak, abyste mohli pozorovat v pohodlnější poloze.
13. **Azimutální montáž** je speciální mechanismus, který vám umožňuje vertikální a horizontální natáčení tubusu.
14. **Aretační šroub nastavení azimutu** pohybuje tubusem horizontálně.
15. **Aretační šroub elevace** pohybuje tubusem vertikálně.
16. **Jemné nastavení elevace** se používá k zafixování teleskopu po nastavení jeho vertikální pozice a umožňuje plynulejší posouvání tubusu teleskopu.
17. **Stativ.** Teleskop by měl být velmi stabilní, aby se pozorovaný obraz netřásl. Proto se tubus instaluje na speciální opěrné zařízení – stativ.
18. **Uzamykací šroub stativu** umožňuje po nastavení výšky nohou bezpečně zafixovat výšku stativu. Uvolněte šroub a vysuňte nebo zasuňte nohy stativu. Utáhněte šroub a zafixujte tak výšku nohou stativu. **2**
19. **Příhrádka na příslušenství** je umístěna mezi nohami stativu. Můžete si na ni odkládat náhradní okuláry, diagonální zrcátko, Barlowovy čočky a další příslušenství k teleskopům. Příhrádka také pomáhá stabilizovat teleskop.

Jak sestavit svůj teleskop

Aby teleskop pracoval tak, jak má, je velmi důležité jej správně sestavit. Teleskop si řádně prohlédněte. Zkuste si zapamatovat názvy jeho jednotlivých částí, kam příslušná součást patří a k čemu je potřeba. Při sestavování teleskopu je lepší využít pomoci dospělé osoby.

1. Otevřete krabici a vyndejte z ní všechny součásti. Prázdnou krabici ještě jednou zkontrolujte – mohou v ní stále být některé drobné součástky.
2. Pomalu uvolněte aretační šrouby stativu a opatrně vysuňte spodní část každé nohy stativu. Utažením šroubů nohy zafixujte v nastavené poloze. Nohy stativu roztáhněte tak, aby bylo stativ možno vzpřímeně postavit (kromě LabZZ TK50).
3. Roztáhněte nohy stativu a umístěte jej na rovném povrchu, aby byl stabilní.
4. Odkládací příhrádku na příslušenství položte nahoru na konzolu a zespod ji upevněte pomocí křídlatého šroubu. Uložte paralaktickou montáž na hlavici stativu (kromě LabZZ TK50).

- Pozor!** Šroub neutahujte příliš napevno, mohli byste nechtěně poškodit závit šroubu.
5. Uvolněte montážní šrouby hledáčku nasuňte jej na patici hledáčku. Šrouby opatrně utáhněte. Hledáček je třeba umístit tak, aby mířil stejným směrem jako tubus teleskopu. Při seřizování pointačního dalekohledu si vyberte objekt ve vzdálenosti nejméně 500 m a namiřte na něj teleskop. Teleskop nastavte tak, aby byl objekt ve středu zorného pole vašeho okuláru. V pointačním dalekohledu zkontrolujte, zda je objekt vystředěn i na nitkovém kříži. K vycentrování nitkového kříže na objektu použijte tři stavěcí šrouby.

Postup instalace montáže

Montáž bez vidlice 3a

- Odšroubujte pojistný šroub elevace z hlavičky montáže.
- Uložte optický tubus teleskopu na azimutální montáž tak, aby otvor v optickém tubusu lícovale s otvorem v hlavičce montáže.
- Pojistný šroub elevace zasuněte přes hlavičku montáže a optický tubus (před utažením šroubu zajistěte, aby byla kompletní cesta šroubu bez překážek). Pojistný šroub elevace utáhněte tak, aby byl tubus upevněn.

Modely s vidlicovou montáží 3b

- Vyjměte šroub z jemného nastavení elevace.
- Vložte jemné nastavení elevace do bočního otvoru vidlicové montáže.
- Tubus teleskopu vložte mezi ramena vidlice tak, aby otvory na tubusu lícovale s otvory v rameni. Pomocí křídlatých šroubů připevněte tubus teleskopu k montáži.
- Připojte druhý konec jemného nastavení elevace k tubusu pomocí otvorů pro šrouby na jemném nastavení elevace a na tubusu teleskopu.

Práce s teleskopem

Před zahájením pozorování je velmi důležité správně instalovat okuláry a další součásti.

Okulárový výtah: Zaostřovacím šroubem otáčejte směrem k teleskopu až na doraz. Pak šroubem začněte otáčet směrem k sobě, dokud nebude obraz jasný. 6a 6b **Pozor!** Před zaostřováním obrazu (úpravou jeho ostrosti) se ujistěte, zda je v okulárovém výtahu vložen okulár. V opačném případě žádný obraz nevidíte.

Vzpřimovací okulár: V krabici s teleskopem naleznete dva okuláry (kromě LabZZ TK76). Čím menší je číslo na okuláru, tím vyšší hodnoty zvětšení nabízí. Pozorování doporučujeme zahájit pomocí okuláru s malým zvětšením a širokým zorným polem. Vzpřimovací okulár lze použít k pozorování Měsíce a planet, ale i velkého počtu pozemských objektů, například budov, věží, antén a dalších.

Pozor! Vzpřimovací okulár se vkládá přímo do okulárového výtahu, bez diagonálního zrcátka.

Diagonální zrcátko: Vytáhněte vzpřimovací okulár a do okulárového výtahu vložte diagonální zrcátko.

Okulár: Po vložení diagonálního zrcátka do okulárového výtahu vložte okulár. Nabízí vyšší zvětšení a je vynikající pro pozorování v noci. 5a 5b

Barlowova čočka. Barlowova čočka se používá v kombinaci s okuláry za účelem dosažení maximálního zvětšení. Barlowova čočka zvyšuje zvětšení okuláru a zároveň zmenšuje zorné pole. Kromě vyššího zvětšení jsou dalšími výhodami Barlowovy čočky lepší oční reliéf a menší sférická aberace okuláru. Jejím největším přínosem je to, že může potenciálně zdvojnásobit počet okulárů ve vaší sbírce.

Jak zahájit pozorování

DŮLEŽITÉ UPOZORNĚNÍ! Přes teleskop se nikdy nedívejte přímo do Slunce nebo jeho bezprostředního okolí! Mohlo by dojít k poškození vašeho zraku nebo dokonce oslepnutí!

Než začnete zkoumat vesmír, měli byste se naučit teleskop obsluhovat během dne. Pomocí vzpřimovacího okuláru pozorujte pozemské objekty – budovy, stromy, antény na střechách a řadu dalších! Tak se naučíte teleskop ovládat a zaostřovat na požadované objekty. A navíc je to skvělá zábava!

Pozor! Teleskop používejte v místě chráněném před větrem.

Až se dostanete k pozorování Měsíce, planet a hvězd na obloze, nepamenejte si vybrat místo co nejdále od pouličního osvětlení, reflektorů automobilů a svítících oken. Pozorování provádějte hlavně během noci, kdy hvězdy září jasně a rovnoměrně.

Teleskop namiřte na požadovaný objekt, například Měsíc. Dívejte se do pointačního dalekohledu a přitom pomalu pohybujte tubusem, dokud nebude objekt ve středu zorného pole. A teď se podívejte do okuláru a uvidíte v něm mnohonásobně zvětšený obraz objektu!

Při práci s teleskopem postupujte opatrně a trpělivě. Neopírejte se o něj a nepřemístujte jej. Po určitém tréninku se naučíte tubusem teleskopu pohybovat tak, abyste pozorovaný objekt neztratili ze zorného pole okuláru.

Specifikace

	LabZZ TK50	LabZZ TK60	LabZZ TK76
Optická konstrukce	refraktor		Newtonovský reflektor
Materiál optiky	optické sklo s antireflexní vrstvou		
Apertura, mm	50	60	76
Ohnisková vzdálenost, mm	360	700	700
Nejvyšší praktické zvětšení, x	100	120	152
Světelnost	f/7	f/11,6	f/9
Materiál tubusu	kov		
Montáž	azimutální (AZ)		
Okulárový výtah	0,965"		1,25"
Stativ	hliník, 350 mm	hliník, 600–1000 mm	
Odkládací přihrádka pro příslušenství	–	+	
Pointační dalekohled	–	5x24, optický	
Okuláry	6 mm, 20 mm	4 mm, 12,5 mm, 20 mm	
Diagonální zrcátko	90°		–
Barlowova čočka	–	3x	2x
Kolmý okulár	1,5x		–

Společnost Levenhuk si vyhrazuje právo provádět bez předchozího upozornění úpravy jakéhokoliv výrobku, případně zastavit jeho výrobu.

Péče a údržba

- **Nikdy, za žádných okolností, se tímto přístrojem bez speciálního filtru nedívejte přímo do slunce, jiného jasného světelného zdroje nebo laseru, neboť hrozí nebezpečí TRVALÉHO POŠKOZENÍ SÍTNICE a případně i OSLEPNUTÍ.**
- Při použití tohoto přístroje dětmi nebo osobami, které tento návod nečetly nebo s jeho obsahem nebyly plně srozuměny, přijměte nezbytná preventivní opatření.
- Z žádného důvodu se nepokoušejte přístroj rozebírat, a to ani za účelem vyčištění zrcadla. S opravami veškerého druhu se obraťte na své místní specializované servisní středisko.
- Přístroj chraňte před prudkými nárazy a nadměrným mechanickým namáháním.
- Nedotýkejte se svými prsty povrchů optických prvků. K vyčištění vnějších částí teleskopu používejte výhradně speciální čisticí ubrousky a speciální nástroje k čištění optiky dodávané společností Levenhuk.
- Přístroj ukládejte na suchém, chladném místě, mimo dosah nebezpečných kyselin nebo jiných chemikálií, topných těles, otevřeného ohně a jiných zdrojů vysokých teplot.
- Pokud teleskop nepoužíváte, zakryjte jeho čelní stranu prachovým víčkem. Tím zabráníte usazování prachu na povrchu zrcadla nebo čoček.
- **Děti by měly teleskop používat pouze pod dohledem dospělé osoby.**

Mezinárodní doživotní záruka Levenhuk

Na veškeré teleskopy, mikroskopy, triedry a další optické výrobky značky Levenhuk, s výjimkou příslušenství, se poskytuje **doživotní záruka** pokrývající vady materiálu a provedení. Doživotní záruka je záruka platná po celou dobu životnosti produktu na trhu. Na veškeré příslušenství značky Levenhuk se poskytuje záruka toho, že je dodáváno bez jakýchkoli vad materiálu a provedení, a to po dobu **dvou let** od data zakoupení v maloobchodní prodejně. Tato záruka vám v případě splnění všech záručních podmínek dává nárok na bezplatnou opravu nebo výměnu výrobku značky Levenhuk v libovolné zemi, v níž se nachází pobočka společnosti Levenhuk.

Další informace – navštivte naše webové stránky: www.levenhuk.cz/zaruka

V případě problémů s uplatněním záruky, nebo pokud budete potřebovat pomoc při používání svého výrobku, obraťte se na místní pobočku společnosti Levenhuk.

Hallo, junger Entdecker!

Levenhuks LabZZ-TK-Teleskope eröffnen dir eine faszinierende Welt voller aufregender wissenschaftlicher Entdeckungen! Mit dem Teleskop aus dem Set kannst du den Mond, die Planeten und tausende Sterne studieren, die Geheimnisse des Weltalls entdecken und Dinge beobachten, die ganz, ganz weit von dir entfernt sind. Mit dem Levenhuk LabZZ TK wirst du viel Neues lernen und vor allem: viel Spaß haben!

Bitte lies diese Anleitung sorgfältig von Anfang bis Ende durch, bevor du etwas mit dem Teleskop unternimmst. Verlier die Anleitung nicht, vielleicht brauchst du sie später noch einmal.

Informationen für Eltern

Liebe Erwachsene! Bitte denken Sie daran, dass Sie immer die Verantwortung für Ihr Kind tragen. Sorgen Sie immer für die Sicherheit Ihres Kindes, wenn es sich mit dem Teleskop beschäftigt. Lesen Sie die gesamte Anleitung sorgfältig durch, insbesondere die Hinweise zu Bedienung und Pflege. Auch wenn Ihr Kind schon gut lesen kann, sollten Sie alle Regeln ein weiteres Mal laut vorlesen, bevor Ihr Kind das Teleskop benutzen darf. Achten Sie darauf, dass Ihr Kind die Anweisungen auch versteht.

VORSICHT! ERSTICKUNGSGEFAHR! Bei den Instrumenten gibt es Kleinteile, die von kleinen Kindern verschluckt werden können. Die Teleskope sind für Kinder ab 5 Jahren gedacht, dürfen nur unter der Aufsicht Erwachsener benutzt werden.

Dein Teleskop

1. **Objektiv:** Der wichtigste Teil eines Linsenteleskops. Das Objektiv besteht aus Linsen, die das Licht weit entfernter Dinge sammeln und ein Bild daraus entstehen lassen. Das Objektiv muss auf das Objekt zeigen, das du beobachten möchtest.
2. **Teleskoptubus (Telekoprohr):** Die Lichtstrahlen werden vom Objektiv (der großen Linse) gesammelt, laufen anschließend weiter durch den Teleskoptubus, danach erreichen sie das Okular (die kleine Linse, durch die du schaust).
3. **Okular:** Um den Mond, die Planeten und die Sterne zu sehen, musst du ins Okular schauen. Das Okular ist die kleine Linse, die du hinten oder an der Seite in das Teleskop stecken kannst. Dieses Okular vergrößert das Bild sehr stark. Deswegen sieht alles viel größer aus, als wenn du es mit dem bloßen Auge beobachtest.
4. **Taukappe:** Diese Blende ist ein kurzes Rohr, das auf das Objektiv gesteckt wird. Es verhindert, dass Licht von Straßenlaternen, Autoscheinwerfern, Fenstern und anderen Lichtquellen in der Nähe ins Objektiv eindringt und dort das Bild verschlechtert, das du eigentlich beobachten wolltest. Übrigens schützt die Taukappe auch davor, dass das Objektiv deines Teleskops schnell beschlägt, sich feiner Wasserdampf darauf absetzt. Dieses Wasser nennt man Tau - und deswegen heißt die Taukappe auch Taukappe.
5. **Hauptspiegel:** Eines der wichtigsten Bauteile eines Spiegelteleskops, das man auch Reflektor nennt (weil ein Spiegel das Licht reflektiert). Mit dem Hauptspiegel, der leicht gewölbt ist, werden die Lichtstrahlen auf einen kleinen Punkt gebündelt. Dieser Spiegel besteht aus Spezialglas und ist mit einer Schutzschicht versehen. Die Schutzschicht ist empfindlich. Also: Nicht anfassen!
6. **Sucherteleskop:** Ein kleines Teleskop, das außen am Tubus des großen Teleskops befestigt wird. Das Sucherrohr hat eine geringe Vergrößerung, dafür kannst du aber eine Menge um den Mittelpunkt herum sehen. So kannst du auch größere Bereiche auf einmal sehen. Das Sucherrohr hilft dir, das gesuchte Objekt schneller und einfacher zu finden. Zuerst peilst du das Objekt über das Sucherteleskop an und bringst es genau in die Mitte. Danach schaust du durch das Okular - und kannst das Objekt jetzt stark vergrößert mit allen Einzelheiten studieren.
7. **Sucherteleskop-Halterung:** Hier wird das kleine Sucherteleskop am Teleskoptubus angebracht. 4
8. **Sucherteleskop-Einstellschrauben:** Mit diesen Schrauben stellst du das Sucherteleskop genau ein, nämlich so, dass es auf genau dieselbe Stelle wie das große Teleskop zeigt, an dem es befestigt ist. 7
9. **Gabelmontierung:** Diese Halterung (Astronomen sagen Montierung dazu) hält den Teleskoptubus so, dass du ihn bewegen und bequem hindurchschauen kannst.
10. **Fokussierer (Scharfsteller):** Eine bewegliche Halterung, in die das Okular eingesetzt wird. Daran befindet sich das Fokusrad, das den Abstand zwischen Teleskop und Okular ein klein wenig verändert. Durch Drehen an diesem Fokusrad stellst du das Bild scharf ein.
11. Wenn das Bild im Okular nicht scharf ist, drehst du langsam und vorsichtig am **Fokusrad**. 6a 6b
12. **Zenitspiegel (Diagonalspiegel):** Wenn ein Objekt ganz hoch am Himmel (den höchsten Punkt am Himmel nennt man Zenit) steht, müsstest du dich bei einem Linsenteleskop ganz tief bücken oder sogar auf den Boden legen, um durch das Okular schauen zu können. Ganz schön unbequem. Dafür gibt es den Zenitspiegel. Der Zenitspiegel dreht das Bild und sorgt dafür, dass du von der Seite durch das Okular schauen kannst. Dazu setzt du einfach den Zenitspiegel in den Fokussierer ein, danach das Okular in den Fokussierer.
13. **Altazimut-Montierung.** Eine spezielle Halterung für den Teleskoptubus, mit der du das Teleskop nach oben, unten, links und rechts drehen kannst.
14. Die **Azimet-Arretierung** erlaubt horizontale Bewegungen des Tubus.
15. Die **Höhen-Arretierung** erlaubt vertikale Bewegungen des Tubus.
16. **Höhen-Feinabstimmung** dient zur Fixierung des Teleskops, nachdem die Position des Teleskops vertikal eingestellt wurde, und ermöglicht es Ihnen, den Teleskoptubus leichter zu bewegen.
17. **Stativ:** Damit das Bild möglichst wenig wackelt, muss das Teleskop stabil aufgestellt werden. Dafür (und dafür, dass die Höhe so stimmt, dass du bequem hindurchschauen kannst) sorgt das Stativ.
18. **Stativfeststellknopf:** Mit diesem Knopf musst du die Stativbeine verriegeln, wenn sie herausgezogen sind. Vergiss das bloß nicht - sonst bricht dein Teleskop zusammen! Stell die Höhe so ein, dass es für dich bequem ist, danach ziehst du den

Stativfeststellknopf gut an. Wenn du die Beine wieder einschieben möchtest, löst du den Feststellknopf wieder. Dabei SEHR GUT aufpassen - am besten einen Erwachsenen fragen! 2

19. **Zubehörablage** ist eine Ablage zwischen den Beinen des Stativs, auf das Sie Ersatzokulare, einen Diagonalspiegel, eine Barlowlinse und anderes Teleskopzubehör legen können.

So baust du dein Teleskop zusammen

Es ist sehr wichtig, das Teleskop richtig zusammenzubauen, damit alles korrekt funktioniert. Sieh dir das Teleskop in Ruhe an. Versuche, dir die Namen seiner Teile zu merken. Finde heraus, wofür sie da sind und wo sie hingehören. Am besten lässt du dir beim Zusammenbau von einem Erwachsenen helfen.

1. Öffne die Schachtel, hol alle Teile heraus und leg sie ordentlich auf einen Tisch. Schau dir die leere Schachtel anschließend noch einmal gut an - es könnten sich noch kleine Teile darin verbergen.
2. Löse langsam die Feststellknöpfe an den Stativbeinen, zieh die unteren Teile der Beine langsam heraus. Danach ziehst du die Feststellknöpfe wieder gut an, damit die Beine nicht nach oben oder unten rutschen können. Zieh die Beine des Stativs auseinander (nicht mit Gewalt!), bis es nicht mehr weiter geht. Stell das Stativ dann auf den Boden (außer LabZZ TK50).
3. Achte darauf, dass das Stativ möglichst gerade steht. Dazu muss der Boden natürlich eben sein.
4. Leg die Zubehörablage auf die „Nasen“ zwischen den Stativbeinen. Danach schraubst du die Ablage von unten mit Rändelschrauben (die geriffelten Schrauben, die du mit den Fingern anziehen kannst) fest. Set jetzt die Montierung (die Fernrohrhalterung) auf den Kopf des Stativs (außer LabZZ TK50)
Achtung! Zieh die Schrauben nicht zu fest an, nicht mit Gewalt! Wenn sich die Schrauben nur noch schwer drehen lassen, reicht das. Wenn du noch weiter drehst, kann etwas kaputtgehen.
5. Löse die Halteschrauben am Sucherteleskop, schieb das kleine Teleskop in die Sucherteleskop-Halterung. Zieh die Halteschrauben wieder handfest an. Vergiss nicht, dass die große Linse des Sucherteleskops nach vorne zeigen muss. Jetzt muss das Sucherteleskop ordentlich eingestellt werden. Das geht so: Schau dich um - du brauchst ein Ziel, das sehr weit entfernt ist, gute 500 m oder mehr. Das kann ein Kirchturm sein, ein Hochspannungsmast, ein Hochhaus, so etwas in der Art. Richte das ganze Teleskop grob auf dieses Ziel, schau dann durch das Okular und peile eine bestimmte Stelle dieses Ziels an - zum Beispiel eine Kugel oder ein Kreuz auf der Kirchturmspitze, die Spitze des Hochspannungsmastes, die Ecke eines Fensters am Hochhaus, je nachdem. Auf jeden Fall muss es etwas recht Kleines sein. Diese Stelle muss genau in der Mitte des Bildes liegen, das du durch das Okular siehst. Tipp: Mit einem Aufrechtokular geht das alles viel einfacher, du wirst sehen. Weiter: Schau jetzt durch das Sucherteleskop, achte darauf, dass du dabei nicht an das Teleskop stößt und sich alles verstellt. Schau beim Einstellen auch immer zwischendurch wieder durch das Okular, damit du sicher sein kannst, dass dein angepeiltes Ziel immer noch genau in der Mitte ist. Jetzt drehst du an den Sucherteleskop-Einstellschrauben, bis dein angepeiltes Ziel auch genau in der Mitte des Sucherteleskops erscheint (meist ist ein Fadenkreuz darin, das genau auf das Ziel zeigen muss). Dabei musst ein bisschen experimentieren, weil beim Drehen einer Schraube meist auch die anderen Schrauben nachgestellt werden müssen. Das dauert ein bisschen, ist aber wirklich wichtig. Am Ende müssen alle Einstellschrauben stramm sitzen, keine darf locker bleiben. Wenn alles stimmt: Abschlussprobe! Genau dieselbe Stelle deines Ziels ist genau in der Mitte, wenn du durch das Sucherteleskop schaust - und genau in der Mitte, wenn du durch das Okular blickst. Fertig!

Halterung montieren

Montierung ohne Gabel 3a

- Schrauben Sie die Höhenwinkel-Arretierung aus dem Kopf der Montierung heraus.
- Platzieren Sie den optischen Tubus so auf der Altazimut-Montierung, dass das Loch im optischen Tubus und das Loch im Gelenk der Montierung deckungsgleich sind.
- Führen Sie die Höhenwinkel-Arretierung durch die Löcher im Gelenk der Montierung und im optischen Tubus. Ziehen Sie die Höhenwinkel-Arretierung zum Fixieren des Tubus fest.

Modelle mit Gabelmontierung 3b

- Entfernen Sie die Schraube von der Höhen-Feinsteuerung.
- Führen Sie die Höhen-Feinsteuerung in das Seitenloch der Gabelmontierung ein.
- Platzieren Sie den Teleskoptubus in den Armen der Gabelmontierung so, dass die Löcher auf dem Tubus deckungsgleich mit den Löchern an den Armen sind. Schrauben Sie den Teleskoptubus mit Flügelschrauben an die Montierung.
- Befestigen Sie das andere Ende der Höhen-Feinsteuerung am Tubus, indem Sie die Schraubenlöcher der Höhen-Feinsteuerung und des Teleskoptubus miteinander verbinden.

So benutzt du dein Teleskop

Bevor du etwas mit dem Teleskop beobachten kannst, ist es wichtig, die Okulare und alle anderen Teile korrekt einzustellen.

Fokussierer: Dreh das Fokussierrad in Richtung des Teleskops, bis du den Anschlag erreichst. Dreh dann das Rad langsam wieder zu dir, bis das Bild scharf ist. 6a 6b **Achtung!** Bevor du das Bild scharfstellst, musst du ein Okular in den Fokussierer einsetzen. Sonst siehst du kein Bild.

Aufrechtokular: In der Schachtel mit dem Teleskop findest du zwei Okulare (außer LabZZ TK76). Je kleiner die Zahl auf dem Okular ist, desto größer ist seine Vergrößerung. Es ist besser, zu Beginn einer Beobachtung ein Okular mit niedriger Vergrößerung (also hoher Zahl) und weitem Sichtfeld zu benutzen. Das Okular mit Bildaufrichter (Aufrechtokular) eignet sich besonders zum Beobachten weit entfernter Objekte auf der Erde - Gebäude, Türme, Antennen und so weiter. Mit diesem Okular erscheint alles richtig herum, zum Beispiel ist das Dach von Gebäuden oben. Bei anderen Okularen steht das Bild auf dem Kopf. Natürlich kannst du aber auch den Mond und andere Dinge am Himmel damit beobachten.

Achtung! Das Okular mit Bildaufrichter wird ohne Diagonalspiegel benutzt und direkt in den Fokussierer eingesetzt.

Zenitspiegel: Wenn du den Zenitspiegel benutzen möchtest, musst du zuerst das Aufrechtokular herausnehmen, dann den Zenitspiegel einsetzen.

Okular: Setz zunächst den Diagonalspiegel in den Fokussierer ein. Setz dann das Okular in den Diagonalspiegel. Es bietet eine höhere Vergrößerung und eignet sich großartig für Beobachtungen bei Nacht. 5a 5b

Barlowlinse: Die Barlowlinse wird zusammen mit Okularen verwendet, diese Linse erhöht die Vergrößerung eines Okulars noch weiter. Das kann praktisch sein, wenn du zum Beispiel die Wolkenbänder des Jupiter noch größer sehen oder die Ringe des Saturns noch besser erkennen möchtest. Obendrein musst du mit einer Barlowlinse das Auge meist nicht so nah an das Okular halten. Aber - kaum etwas im Leben ist ohne Nachteile: Oft wird das Bild etwas dunkler oder ein wenig unschärfer. Experimentier am besten ein bisschen herum. Manchmal ist ein stärkeres Okular besser als ein schwächeres Okular mit Barlowlinse. Manchmal umgekehrt.

Tipps für die ersten Beobachtungen mit dem Teleskop

VORSICHT! Schau nie (NIE!!!) mit dem Teleskop direkt in die Sonne oder auf den Himmel in der Nähe der Sonne! Das ist BRANDGEFÄHRLICH - du kannst sofort blind werden oder Augenschäden bekommen, die sich nicht mehr heilen lassen! Deswegen heißt hier NIE auch wirklich NIE! Benutz auch NIE sogenannte „Sonnenfilter“ oder ähnlichen gefährlichen Unsinn!

Bevor du dich auf den Weg machst, das Weltall zu erkunden, solltest du dich bei Tageslicht mit der Bedienung deines Teleskops bekannt machen. Beobachte mit dem Okular mit Bildaufrichter (dem Aufrechtokular) verschiedene Dinge auf der Erde - Häuser, Bäume, Antennen auf den Hausdächern und so weiter. Dabei übst du, das Teleskop zu beherrschen und es auf das Objekt scharfzustellen, das du beobachten möchtest. Außerdem kannst du eine Menge Spaß dabei haben!

Achtung! Stell das Teleskop an einem windgeschützten Ort auf. Wenn es windig ist, frierst du schnell - außerdem fängt das Teleskop an zu wackeln.

Wenn du dich später daran machst, den Mond, die Planeten und die Sterne bei Nacht zu beobachten, solltest du das Teleskop weit entfernt von Straßenlaternen, Scheinwerferlicht oder erleuchteten Fenstern aufstellen. Such dir eine Nacht aus, in der die Sterne hell leuchten und nicht (oder nur ganz wenig) flackern. Richte das Teleskop auf das Objekt, das du beobachten möchtest, zum Beispiel auf den Mond. Schau dann durch das Sucherteleskop und bewege den Tubus vorsichtig, bis das Objekt genau in der Mitte ist. Schau jetzt durch das Okular. Wenn alles geklappt hat, solltest du das Bild des Objekts sehen – aber um ein Vielfaches größer.

Geh vorsichtig mit dem Teleskop um, lass es ruhig angehen. Vermeide Stöße gegen das Teleskop, schiebe es nicht herum. Nach einiger Übungszeit wirst du herausfinden, wie du den Teleskoptubus bewegen kannst, ohne das beobachtete Objekt im Okular aus dem Blick zu verlieren.

Technische Daten

	LabZZ TK50	LabZZ TK60	LabZZ TK76
Optische Bauweise	Refraktor		Newton-Reflektor
Optisches Material	optisches Glas mit Antireflexionsbeschichtung		
Objektivlinsendurchmesser (Öffnung), mm	50	60	76
Brennweite, mm	360	700	700
Höchste praktische Vergrößerung, x	100	120	152
Brennweitenverhältnis	f/7	f/11,6	f/9
Tubusmaterial	Metall		
Montierung	azimuth (AZ)		
Steckmaß des Okulars	0,965"		1,25"
Stativ	Aluminium, 350 mm	Aluminium, 600–1000 mm	
Zubehörablage	–	+	
Sucherrohr	–	5x24, optisch	
Okulare	6 mm, 20 mm	4 mm, 12,5 mm, 20 mm	

Diagonalspiegel	90°		–
Barlowlinse	–	3x	2x
Aufrechtokular	1,5x		–

Levenhuk behält sich das Recht vor, Produkte ohne vorherige Ankündigung zu modifizieren oder einzustellen.

Pflege und Wartung

- **Richten Sie das Instrument ohne Spezialfilter unter keinen Umständen direkt auf die Sonne, andere helle Lichtquellen oder Laserquellen. Es besteht die Gefahr DAUERHAFTER NETZZHAUTSCHÄDEN und ERBLINDUNGSGEFAHR.**
- Treffen Sie geeignete Vorsichtsmaßnahmen, wenn Kinder oder Menschen das Instrument benutzen, die diese Anleitung nicht gelesen bzw. verstanden haben.
- Versuchen Sie egal aus welchem Grunde nicht, das Instrument selbst auseinanderzubauen, auch nicht zum Reinigen des Spiegels. Wenden Sie sich für Reparaturen oder zur Reinigung an ein spezialisiertes Servicecenter vor Ort.
- Schützen Sie das Instrument vor plötzlichen Stößen und übermäßiger mechanischer Krafteinwirkung.
- Berühren Sie die optischen Flächen nicht mit den Fingern. Verwenden Sie zur äußerlichen Reinigung des Teleskops ausschließlich die speziellen Reinigungstücher und das spezielle Optik-Reinigungszubehör von Levenhuk.
- Lagern Sie das Instrument an einem trockenen, kühlen Ort, der frei von gefährlichen Säuren und anderen Chemikalien ist, und in ausreichendem Abstand zu Heizgeräten, offenem Feuer und anderen Hochtemperaturquellen. Das Instrument ist nicht für Dauerbetrieb ausgelegt.
- Decken Sie das vordere Ende des Teleskops stets mit der Staubschutzkappe ab, wenn es nicht in Verwendung ist. Sie verhindern dadurch, dass sich Staub auf dem Spiegel oder den Linsenflächen absetzen kann.
- **Kinder dürfen das Teleskop nur unter Aufsicht Erwachsener verwenden.**

Lebenslange internationale Garantie

Levenhuk garantiert für alle Teleskope, Mikroskope, Ferngläser und anderen optischen Erzeugnisse mit Ausnahme von Zubehör **lebenslänglich** die Freiheit von Material- und Herstellungsfehlern. Die lebenslange Garantie ist eine Garantie, die für die gesamte Lebensdauer des Produkts am Markt gilt. Für Levenhuk-Zubehör gewährleistet Levenhuk die Freiheit von Material- und Herstellungsfehlern innerhalb von **zwei Jahren** ab Kaufdatum. Produkte oder Teile davon, bei denen im Rahmen einer Prüfung durch Levenhuk ein Material- oder Herstellungsfehler festgestellt wird, werden von Levenhuk repariert oder ausgetauscht. Voraussetzung für die Verpflichtung von Levenhuk zu Reparatur oder Austausch eines Produkts ist, dass dieses zusammen mit einem für Levenhuk ausreichenden Kaufbeleg an Levenhuk zurückgesendet wird.

Weitere Einzelheiten entnehmen Sie bitte unserer Website: www.levenhuk.de/garantie

Bei Problemen mit der Garantie, oder wenn Sie Unterstützung bei der Verwendung Ihres Produkts benötigen, wenden Sie sich an die lokale Levenhuk-Niederlassung.

Querido amigo!

¡Los telescopios Levenhuk LabZZ TK abrirán el asombroso mundo de emocionantes descubrimientos científicos! El telescopio del kit permite estudiar la Luna, los planetas y las estrellas brillantes; descifrar los misterios del cosmos infinito y observar objetos lejanos. La vida a nuestro alrededor, de forma que la experiencia con el telescopio Levenhuk LabZZ TK es al mismo tiempo instructiva y entretenida.

Lee con atención el manual completo antes de utilizar el telescopio o el microscopio y no lo pierdas, ya que es posible que lo necesites más adelante.

Información para los padres

Apreciado adulto: Recuerde que es responsable de la seguridad de sus hijos en todo momento. Asegúrese de que sus hijos siempre trabajen con el microscopio o con el telescopio de forma segura. Lea el manual completo detenidamente, especialmente en lo que se refiere a las instrucciones de mantenimiento y de manipulación.

Aunque su hijo sea mayor y lea bien, repita con él todas las reglas en voz alta de nuevo antes de empezar a trabajar con los instrumentos y asegúrese de que su hijo o hija entienda claramente estas instrucciones.

¡PRECAUCIÓN! ¡HAY RIESGO DE ASFIXIA! Estos instrumentos contienen piezas pequeñas. Los telescopios están diseñados para niños de más de 5 años y solamente deben usarse bajo la supervisión de un adulto.

Diseño del telescopio

1. **Objetivo.** Esta es la parte más importante del telescopio. El objetivo es un sistema de lentes que recoge la luz de un objeto lejano y que forma una imagen. El objetivo siempre debería estar dirigido en la dirección del objeto que quieres observar.
2. **Tubo del telescopio.** Los rayos de luz recogidos por el objetivo viajan en el interior del tubo óptico hasta entrar en el ocular.
3. **Ocular.** Cuando miras a la Luna, los planetas y las estrellas, lo haces a través del ocular. El ocular aumenta muchas veces el tamaño de las imágenes de los objetos, por eso se ven con mayor tamaño que si se observan con el ojo desnudo.
4. **Protector de rocío.** El parasol es un tubo corto que se coloca en el objetivo. Evita que la luz de las farolas de la calle, de los coches, de las ventanas o de otras fuentes de luz cercanas, lleguen al objetivo y empeoren la imagen del objeto que quieres observar.
5. **Espejo principal.** Una de las partes más importantes del reflector. Mediante el espejo principal, los rayos de luz se recogen en un solo haz. Este espejo está hecho de vidrio especial y tiene una capa protectora, así que no debes tocarlo.
6. **Buscador.** Es un telescopio pequeño unido al tubo del telescopio de mayor tamaño. El buscador tiene pocos aumentos pero un campo de visión amplio (lo que significa que puedes ver zonas más grandes al mismo tiempo). El buscador te ayuda a que puedas encontrar el objeto que buscas más rápido y más fácilmente. Una vez que hayas localizado el objeto con el buscador, puedes pasar a observarlo en detalle con el telescopio.
7. **Horquilla del buscador.** Sirve para unir el buscador al tubo del telescopio. **4**
8. **Tornillos de ajuste del buscador.** Te ayudará a ajustar el objeto observado con la mayor precisión posible. Gira los tornillos para que la imagen quede centrada. **7**
9. **Montura de horquill.** Se utiliza para montar de forma estable el tubo del telescopio en la montura.
10. **Enfocador.** Es el elemento en el que se inserta el ocular. El enfocador es necesario para acercar o alejar el ocular del objetivo. Haciendo esto es posible conseguir imágenes lo más nítidas posibles.
11. Si la imagen obtenida a través del ocular no es nítida, rota con cuidado el **mando de enfoque.** **6a 6b**
12. **Espejo diagonal.** Si quieres observar objetos situados por encima de tu cabeza, utiliza el espejo diagonal para que no tengas que echar la cabeza hacia atrás. El espejo diagonal está en el interior del enfocador. Este espejo desvía los rayos de luz de forma que es posible realizar observaciones en una posición más cómoda.
13. **Montura altazimutal.** Es un mecanismo especial que permite mover el telescopio de arriba a abajo y de izquierda a derecha.
14. **Bloqueo de azimut.** Mueve el tubo de forma horizontal.
15. **Bloqueo de altitud.** Mueve el tubo verticalmente.
16. **Control de movimiento lento de altitud.** Se utiliza para fijar el telescopio después de ajustar la posición del telescopio verticalmente y permite mover el tubo del telescopio con mayor suavidad.
17. **Trípode de sobremesa.** Es necesario que el telescopio sea muy estable para que las imágenes no tiemblen. Por eso el tubo está instalado sobre un soporte especial, el trípode.
18. La **perilla de bloqueo del trípode** permite bloquear de forma segura la altura del trípode después de ajustar la altura de la pata. Afloja la perilla de bloqueo para extender o retraer las patas del trípode. Aprieta la perilla de bloqueo para fijar la altura de las patas del trípode. **2**
19. La **Bandeja de accesorios** se encuentra entre las patas del trípode. En ella puedes colocar oculares de repuesto, un espejo diagonal, una lente Barlow y otros accesorios para telescopios. La bandeja también ayuda a estabilizar el telescopio.

Montaje del telescopio

Es muy importante montar el telescopio de forma correcta para que funcione bien. Revisa el telescopio cuidadosamente. Intenta recordar los nombres de las piezas, dónde va cada una y para qué se utilizan. Es mejor montar el telescopio con ayuda de un adulto.

1. Abre la caja y saca todas las piezas. Asegúrate de que la caja esté vacía, es posible que se hayan quedado piezas pequeñas dentro.
2. Afloje con cuidado el mecanismo de bloqueo del trípode y saque la parte inferior de cada pata. Apriete el mecanismo de bloqueo para fijar las patas en su lugar. Separe las patas del trípode y póngalo de pie (excepto LabZZ TK50).
3. Extiende las patas del trípode y colócalo en una superficie plana para que quede estable.
4. Sitúe la bandeja de accesorios sobre el soporte y fíjelo con los tornillos de mariposa. Coloque la montura ecuatorial en el cabezal del trípode (excepto LabZZ TK50).
¡Atención! No aprietes excesivamente el tornillo, ya que podría dañarse la rosca.
5. Afloja los tornillos de fijación del buscador y desliza el buscador dentro de la base. Aprieta los tornillos cuidadosamente. El buscador se tiene que montar de manera que apunte en la misma dirección que el tubo del telescopio. Para alinear el buscador, escoge un objeto distante que esté al menos a 500 metros y apunta el telescopio hacia el objeto. Ajusta el telescopio de manera que el objeto quede en el centro de la vista del ocular. Comprueba el buscador para ver si el objeto también queda centrado en los ejes. Usa los tres tornillos de ajuste para centrar el visor del buscador en el objeto.

Cómo instalar la montura

Montura sin horquilla **3a**

- Quita el mando de bloqueo de altitud del cabezal de la montura.
- Sitúa el tubo óptico del telescopio en la montura altazimutal de forma que el orificio en el tubo óptico encaje con el del cabezal de la montura.
- Inserta el bloqueo de altitud a través del cabezal de la montura y el tubo óptico. Asegúrate de que el orificio esté libre antes de apretar el mando. Fija el bloqueo de altitud.

Modelos con montura de horquilla **3b**

- Quita el tornillo del control de movimiento lento.
- Inserta el control de altitud de movimiento lento en el orificio lateral de la montura de la horquilla.
- Sitúa el tubo del telescopio entre los brazos de la horquilla de forma que los orificios del tubo encajen con los de los brazos. Asegura el tubo del telescopio a la montura con tornillos de mariposa.
- Conecta el otro extremo del control de movimiento lento al tubo insertando los tornillos en los orificios del control de movimiento lento con el tubo del telescopio.

Cómo trabajar con el telescopio

Antes de empezar a realizar observaciones es muy importante instalar correctamente los oculares y el resto de las piezas.

Enfocador: Gira el tornillo de enfoque hacia el telescopio hasta que llegue al tope. Después gira el tornillo hacia ti poco a poco hasta que la imagen aparezca nítida. **6a 6b** **¡Atención!** Antes de enfocar la vista (ajustar la nitidez), asegúrate de que el ocular esté insertado en el enfocador. De lo contrario, no verás ninguna imagen.

Ocular erector: En la caja del telescopio encontrarás dos oculares (excepto LabZZ TK76). Cuanto menor sea el número del ocular, mayores serán sus aumentos. Es mejor empezar a realizar observaciones utilizando un ocular de pocos aumentos pero con un campo de visión mayor. También es posible utilizar el ocular inversor de imágenes para observar la Luna y los planetas, así como un gran número de objetos terrestres lejanos, tales como edificios, torres, antenas, etc.

¡Atención! El ocular inversor de imágenes tiene que colocarse directamente en el enfocador, sin utilizar el espejo diagonal.

Espejo diagonal: Saca el ocular inversor de imágenes e introduce el espejo diagonal en el enfocador.

Ocular: Una vez introducido el espejo diagonal en el enfocador, coloca el ocular en su interior. Proporciona aumentos mayores y es excelente para realizar observaciones nocturnas. **5a 5b**

Lente de Barlow. La Barlow Lens se utiliza junto con los oculares para lograr el máximo aumento. Expande el cono de la luz enfocada antes de alcanzar el punto focal de manera que la distancia focal del telescopio parece mayor al ocular. Además de aumentar la amplificación los beneficios de usar una lente de Barlow incluyen un alivio de la vista mejorado y una aberración esférica del ocular reducida. Por eso una lente de Barlow junto con otra lente suelen ser mejores que una sola lente que produzca la misma magnificación. La mejor ventaja es que con una lente de Barlow puede potencialmente duplicar el número de oculares en su colección.

Cómo empezar a realizar observaciones

**¡PRECAUCIÓN! ¡No mires nunca al Sol ni a zonas del cielo cercanas al Sol a través de un telescopio!
Podrías dañarte la vista o incluso quedarte ciego!**

Antes de empezar a explorar el cosmos es necesario que te familiarices con el telescopio utilizándolo durante el día. Puedes utilizar el ocular inversor de imágenes para observar objetos terrestres como casas, árboles, antenas en los tejados ¡y muchos otros! De esta forma podrás aprender a controlar el telescopio, enfocando los objetos que desees observar.

¡Y además es muy divertido! **¡Atención!** El telescopio tiene que usarse en un lugar protegido del viento.

Cuando vayas a observar la Luna, los planetas y las estrellas por la noche, recuerda elegir sitios alejados de las farolas, de las luces de los coches y de las luces de las ventanas. Intenta realizar observaciones en noches en que las estrellas brillen bien y de manera uniforme.

Apunta el telescopio hacia el objeto deseado, por ejemplo la Luna. Mirando por el buscador, mueve el tubo lentamente hasta que el objeto se encuentre en el centro. Si ahora miras a través del ocular verás la imagen del objeto ¡aumentada muchas veces! Cuando trabajes con el telescopio, hazlo con cuidado y ten paciencia. No lo empujes y no lo muevas de su sitio. Después de practicar aprenderás a mover el tubo del telescopio sin perder de vista el objeto mientras miras por el ocular.

Especificaciones

	LabZZ TK50	LabZZ TK60	LabZZ TK76
Diseño óptico	refractor		reflector newtoniano
Material de los elementos ópticos	vidrio óptico con revestimiento anti-reflectante		
Apertura, mm	50	60	76
Distancia focal, mm	360	700	700
Potencia práctica máxima, x	100	120	152
Relación focal	f/7	f/11,6	f/9
Material del tubo	metal		
Tipo de montura	azimut (AZ)		
Diámetro del tubo del ocular	0,965"		1,25"
Trípode	aluminio, 350 mm	aluminio, 600–1000 mm	
Bandeja de accesorios	–	+	
Buscador	–	5x24, óptico	
Oculares	6 mm, 20 mm	4 mm, 12,5 mm, 20 mm	
Espejo diagonal	90°		–
Lente de Barlow	–	3x	2x
Ocular erector	1,5x		–

Levenhuk se reserva el derecho a modificar o descatalogar cualquier producto sin previo aviso.

Cuidado y mantenimiento

- **Nunca, bajo ninguna circunstancia, mire directamente al sol, a otra fuente de luz intensa o a un láser a través de este instrumento, ya que esto podría causar DAÑO PERMANENTE EN LA RETINA y CEGUERA.**
- Tome las precauciones necesarias si utiliza este instrumento acompañado de niños o de otras personas que no hayan leído o que no comprendan totalmente estas instrucciones.
- No intente desmontar el instrumento usted mismo bajo ningún concepto, ni siquiera para limpiar el espejo. Si necesita repararlo o limpiarlo, contacte con el servicio técnico especializado que corresponda a su zona.
- Proteja el instrumento de impactos súbitos y de fuerza mecánica excesiva.
- No toque las superficies ópticas con los dedos. Para limpiar el exterior del instrumento, utilice únicamente los paños y herramientas de limpieza especiales de Levenhuk.
- Guarde el instrumento en un lugar seco y fresco, alejado de ácidos peligrosos y otros productos químicos, radiadores, de fuego y de otras fuentes de altas temperaturas.
- Vuelva a colocar el guardapolvo sobre la parte delantera del telescopio cuando no lo use. Esto evita que se deposite polvo sobre la superficie del espejo o de la lente.
- **Los niños únicamente deben utilizar este telescopio bajo la supervisión de un adulto.**

Garantía internacional de por vida Levenhuk

Todos los telescopios, microscopios, prismáticos y otros productos ópticos de Levenhuk, excepto los accesorios, cuentan con una **garantía de por vida** contra defectos de material y de mano de obra. La garantía de por vida es una garantía a lo largo de la vida del producto en el mercado. Todos los accesorios Levenhuk están garantizados contra defectos de material y de mano de obra durante **dos años** a partir de la fecha de compra en el minorista. Levenhuk reparará o reemplazará cualquier producto o pieza que, una vez inspeccionada por Levenhuk, se determine que tiene defectos de materiales o de mano de obra. Para que Levenhuk pueda reparar o reemplazar estos productos, deben devolverse a Levenhuk junto con una prueba de compra que Levenhuk considere satisfactoria.

Para más detalles visite nuestra página web: www.levenhuk.es/garantia

En caso de problemas con la garantía o si necesita ayuda en el uso de su producto, contacte con su oficina de Levenhuk más cercana.

Kedves Barátunk!

A Levenhuk LabZZ TK teleszkópokkal feltárul az izgalmas tudományos felfedezések csodálatos világa! A készletben található teleszkóppal tanulmányozható a Hold, a bolygók és a fényes csillagok, felfedhetők a végtelen világegyetem rejtelmek, és a legtöbb távoli objektum megfigyelhető. A Levenhuk LabZZ TK egyszerre tanulhatsz és szórakozhatsz.

A teleszkóp használata előtt figyelmesen olvasd végig a használati útmutatót. Ne veszítsd el; később még szükség lehet rá.

Információk szülőknek

Kedves Szülő! Ne feledje, gyermeke biztonságáért minden esetben Ön felel. A mikroszkóp, illetve a teleszkóp használatakor mindig figyeljen a gyermek biztonságára. Figyelmesen olvassa végig a használati útmutatót, különös tekintettel a kezelési és karbantartási utasításokra. Még ha gyermeke már elég idős is ahhoz, hogy ügyesen olvasson, az eszközök használatának megkezdése előtt még egyszer szóban ismételje el neki az összes szabályt. Ügyeljen rá, hogy gyermeke megfelelően megértse az utasításokat.

VIGYÁZAT! FULLADÁSVESZÉLY! Az eszközökön apró részegységek találhatóak. Teleszkópok 5 évnél idősebb gyermekek számára készült, és kizárólag felnőtt felügyelete mellett használható.

A teleszkóp felépítése

1. **Objektív.** A teleszkóp legfontosabb része. Az objektív egy olyan lencserendszer, amely a távoli objektumból összegyűjti a fényt, és megformálja annak képét. Az objektívet mindig a megfigyelni kívánt objektum irányába kell állítani.
2. **Teleszkóp tubus.** Az objektív által összegyűjtött fénysugarak az optikai tubuson keresztül jutnak be a szemlencsébe.
3. **Szemlencse.** A Holdat, a bolygókat és a csillagokat a szemlencsén keresztül lehet megfigyelni. A szemlencse többszörösére nagyítja az objektumok képeit; emiatt minden objektum nagyobbak tűnik, mint amikor szabad szemmel figyeljük meg azokat.
4. **Párafogó csésze.** Napellenző egy rövid tubus, amelyet az objektívre kell ráhelyezni. Feladata, hogy ne engedje be a közúti lámpákból, autólámpákból, ablakokból és más közeli fényforrásokból eredő fényt az objektívbe, ezzel elrontva a megfigyelni kívánt objektum megformált képét.
5. **Elsődleges tükrő.** A reflektor egyik legfontosabb része. A főtükrő segítségével az eszköz egyetlen fénycsővé gyűjti össze a fénysugarakat. Ez a tükrő speciális üvegből készült, és védőborítással rendelkezik, emiatt nem szabad hozzáérni.
6. **Keresőtávcső** – kisméretű teleszkóp, amely a nagy teleszkóp tubusához rögzül. A keresőtávcső kismértékű nagyítóerővel és széles látómezővel bír (az utóbbi azt jelenti, hogy egyszerre nagyobb területek láthatók be). A keresőtávcső arra szolgál, hogy gyorsabban és könnyebben sikerüljön megtalálni a kívánt objektumot. Miután a keresőtávcsővel megtaláltad az objektumot, a teleszkóppal részletesen megfigyelheted azt.
7. **Keresőtávcső talpazata** szükséges ahhoz, hogy a keresőtávcsövet a teleszkóp tubusához lehessen rögzíteni. 4
8. **A keresőtávcső állítására szolgáló csavarok:** a lehető legpontosabban segít ráhangolni az eszközt az éppen megfigyelt objektumra. Forgasd úgy a csavarokat, hogy a kép középére kerüljön. 7
9. **Villa alakú állvány:** célja, hogy a teleszkóptubust sikerüljön stabilan rászerezni az állványra.
10. **Fókuszállító** – speciális eszköz, amelybe a szemlencsét kell behelyezni. A fókuszállító arra szolgál, hogy a szemlencsét közelebb vagy távolabb lehessen vinni az objektívtól. Így maximálisan tiszta képek érhetők el.
11. Ha a szemlencsében látott kép nem tiszta, óvatosan forgasd el a **fókuszállító gomb**. 6a 6b
12. **Diagonális tükrő.** Ha olyan objektumokat szeretnél megfigyelni, amelyek jóval fejmagasság fölött helyezkednek el, a diagonális tükröt használva nem kell hátrahajtanod a fejed. A diagonális tükröt a fókuszállítóba kell behelyezni. Áttereli a fénysugarakat, ezáltal kényelmesebb helyzetben végezhető a megfigyelés.
13. **Alt-azimut állvány** – speciális szerkezet, amely révén a teleszkóp tubusa fel-le, illetve balra-jobbra mozgatható.
14. **Azimut szorítógomb:** a tubus vízszintes irányú mozgásáért felel.
15. **Magassági szorítógomb** a tubus függőleges irányú mozgásáért felel.
16. **Magassági lassú mozgatású vezérlő:** a teleszkóp függőleges helyzetének beállítása után a teleszkóp rögzítésére szolgál; segítségével a teleszkóptubus egyenletesebben mozgatható.
17. **A háromlábú állványra.** A teleszkópnak mindig stabilan kell állnia ahhoz, hogy a képek ne rázkódjanak. Emiatt a tubust speciális támaszra kell helyezni – a háromlábú állványra.
18. **A háromlábú állvány szorítógombjával** biztosan rögzítheti a háromlábú állvány magasságát a lábak magasságának beállítása után. Lazítsa meg a szorítógombot a háromlábú állvány lábainak ki- és behúzásához. Húzza meg a szorítógombot a háromlábú állvány láb-magasságainak rögzítéséhez. 2
19. **A tartozéktálca** a háromlábú állvány lábai között található. Oda teheti le a csere lencsét, a diagonális tükröt, a Barlow-lencsét és a teleszkóp többi tartozékát. A tálca a teleszkóp stabilizálásában is segíti!

A teleszkóp összeszerelése

A megfelelő működés érdekében nagyon fontos, hogy a teleszkóp helyesen legyen összeszerelve. Alaposan vizsgálj meg a teleszkópot. Próbáld megjegyezni a részegységek neveit, ill. hogy melyik részegység hova és mire való. A teleszkóp összeszereléséhez érdemes felnőtt segítségét kérni.

1. Nyisd ki a dobozt, és vedd ki az összes részegységet. Kétszer is ellenőrizd le a dobozt, amikor az már üres - lehet, hogy néhány részegység még benne maradt.
2. Lassan lazítsa meg a háromlábú állvány szorítógombjait és óvatosan húzza ki a háromlábú állvány lábainak alsó szakaszát. Húzza meg a csavarokat, hogy megtartsa a lábakat a megfelelő helyen. Húzza szét a háromlábú állvány lábait és állítsa le

függőlegesen a háromlábú állványt (kivéve: LabZZ TK50).

- Hajtsd ki a háromlábú állvány lábait, és helyezd le egy sík felületre úgy, hogy stabilan álljon.
- Helyezze a tartozék tartó tálcát a tartókonzol tetejére, és rögzítse azt a megfelelő helyzetben a kézzel állítható csavarokkal. Rögzítse az állványt a helyén a kézzel állítható csavarokkal (kivéve: LabZZ TK50).
Figyelem! Ne húzd meg túlságosan a csavart, mert így véletlenül megsérülhet a csavarmenet.
- Lazítsd ki a keresőtávcső szerelőcsavarjait, és csúsztasd rá az egységet a keresőtávcső alapzatára. Óvatosan húzd meg a csavarokat. A keresőtávcsövet úgy kell beszerelni, hogy az ugyanabba az irányba nézzen, mint a teleszkóp tubusa. A keresőteleszkóp beigazításához válasszon egy távoli objektumot, amely legalább 500 méter távolságra helyezkedik el, és irányítsa rá a teleszkópot. Állítsa be a teleszkópot úgy, hogy az objektum a szemlencse látómezejének közepén helyezkedjen el. Nézzen bele a keresőtávcsőbe és ellenőrizze, hogy az objektum a hajszátkereszten is központi helyzetben van-e. Használja a három beállítócsavart, hogy központosítsa a keresőtávcső hajszátkeresztjét az objektumon.

Az állvány telepítésének menete

Állvány villa nélkül **3a**

- Távolítsa el a magassági rögzítógombot a tartószerkezet fejről.
- Helyezze a teleszkóp optikai tubusát az alt-azimut állványra úgy, hogy az optikai tubus furata egy vonalba kerüljön a tartószerkezet fején lévő furattal.
- Vezesse át a magassági rögzítógombot a tartószerkezet fején és az optikai tubuson. A gomb meghúzása előtt győződjön meg, hogy a furat a teljes hosszán szabad-e. Rögzítse a magassági rögzítógombot.

Villa alakú állvánnyal rendelkező modellek **3b**

- Távolítsd el a csavart a lassított magasság-szabályozóról.
- Helyezd bele a lassított magasság-szabályozót a villás állvány oldalsó furatába.
- Helyezze el a teleszkóp tubust a villa alakú karok közé úgy, hogy a tubuson lévő furatok illeszkedjenek a kar furataihoz. Rögzítse a teleszkóp tubust az állványhoz a kézzel állítható csavarokkal.
- A lassított magasság-szabályozó másik végét rögzítsd hozzá a tubushoz úgy, hogy a lassított magasság-szabályozón és a teleszkóptubuson található csavarfuratokat egymáshoz csatlakoztatod.

Práce s teleskopem

Amegfigyelések megkezdése előtt nagyon fontos, hogy megfelelően beszereld a szemlencsét és az összes kiegészítő részegységet.

Fókuszállító: Forgasd el a fókuszállító gombot a teleszkóp felé ütközésig (amíg már nem megy tovább). Ezután lassan kezd el elforgatni a gombot magad felé, amíg a kép tiszta nem lesz. **6a 6b Vigyázat!** A képfókusz beállítása (az élesség beállítása) előtt ellenőrizd, hogy a szemlencse benne van-e a fókuszállítóban. Máskülönbem nem látható majd kép.

Álló szemlencse: A csomagban a teleszkóp mellett két darab szemlencse található (kivéve: LabZZ TK76). Az álló szemlencse a Hold és a bolygók megfigyelésére szolgál, továbbá megfigyelhető vele számos távoli földi objektum is, például épületek, tornyok, antennák stb.!

Figyelem! Az álló szemlencsét közvetlenül a fókuszállítóba kell behelyezni, a diagonális tükör nélkül

Diagonális tükör: Húzd ki az álló szemlencsét, és helyezd be a diagonális tükröt a fókuszállítóba.

Szemlencse: Miután behelyezted a diagonális tükröt a fókuszállítóba, helyezd bele a szemlencsét. Ez nagyobb mértékű nagyítást biztosít, és kiváló eszköz éjszakai megfigyelésekhez. **5a 5b**

Barlow-lencse. A Barlow-lencsét a szemlencsével együtt kell használni a maximális nagyítóerő elérése érdekében. Kiterjeszti a fókuszált fény kúpját, mielőtt az elérné a fókuszpontot, ezáltal a teleszkóp fókusz távolsága hosszabbnak tűnik a szemlencsén. A nagyítás növelése mellett a Barlow-lencse használatának előnyei közé tartozik a jobb szemtávolság és a szemlencse szférikus aberrációjának csökkentése. Ebből adódóan egy Barlow-lencse plusz egy lencse használata gyakran felülmúlja az ugyanolyan nagyítással rendelkező szimpla lencsét. És a legnagyobb előny az, hogy a Barlow-lencse potenciálisan megduplázhhatja a készlete szemlencséinek számát.

A megfigyelés megkezdése

VIGYÁZAT! Ennek az eszköznek a használatával soha, semmilyen körülmények között ne nézzen közvetlenül a Napba, vagy egyéb, nagyon erős fényforrásba vagy lézersugárba, mert ez maradandó károsodást okoz a retinájában és meg is vakulhat!

Mielőtt elkezdenéd megfigyelni a világegyetemet, először tanuld meg nappal használni a teleszkópot. Az álló szemlencse segítségével különböző földi objektumok figyelhetők meg – házak, fák, háztetőkön lévő antennák és még sok más! Így megtanulod kezelni a teleszkópot, és a kívánt objektumokra irányítani azt. Mindemellett még jól is szórakozzol!

Vigyázat! A teleszkópot szélvédett helyen kell használni.

A Hold, a bolygók és a csillagok éjszakai megfigyelésekor olyan helyet válassz, amely távol van a közúti lámpákból, az autólámpákból és az ablakokból beszűrődő fénytől. Próbáld meg olyan éjszakát választani a megfigyeléshez, amikor a csillagok fényesen és egyenletesen csillognak.

Irányítsd a teleszkópot a kívánt objektumra, például a Holdra. A keresőtávcsőn átnézve lassan mozgasd a tubust, amíg az objektum már középre kerül. Ekkor nézz bele a szemlencsébe, és máris megláthatod az objektum sokszorosára nagyított képét!

A teleszkóp használata közben mindig legyél óvatos és türelmes. Ne told előre, és ne vidd máshova a helyéről. Némi gyakorlás után már úgy tudod majd mozgatni a teleszkóp tubusát, hogy az objektum nem kerül ki a szemlencse látóköréből.

Műszaki paraméterek

	LabZZ TK50	LabZZ TK60	LabZZ TK76
Optikai kialakítás	refraktor		Newton-i reflektor
Optika anyaga	optikai üveg tükröződésátló bevonattal		
Rekesznyílás, mm	50	60	76
Fókusz-távolság, mm	360	700	700
Legnagyobb gyakorlati nagyítás, x	100	120	152
Fókuszarány	f/7	f/11,6	f/9
Tubus anyaga	fém		
Háromlábú állvány	azimuth (AZ)		
Fókusz-állító	0,965"		1,25"
Háromlábú állvány	alumínium, 350 mm	alumínium, 600–1000 mm	
Tartozéktartó tálca	–	+	
Keresőtávcső	–	5x24, optikai	
Szemlencsék	6 mm, 20 mm	4 mm, 12,5 mm, 20 mm	
Diagonális tükör	90°		–
Barlow-lencse	–	3x	2x
Álló szemlencse	1,5x		–

A gyártó fenntartja magának a jogot a termékínalat és a műszaki paraméterek előzetes értesítés nélkül történő módosítására.

Ápolás és karbantartás

- **Speciális szűrő hiányában soha, semmilyen körülmények között ne nézzen közvetlenül a Napba, vagy egyéb, nagyon erős fényforrásba vagy lézersugárba az eszközön keresztül, mert ez MARADANDÓ KÁROSODÁST OKOZ A RETINÁJÁBAN ÉS MEG IS VAKULHAT.**
- Legyen kellően óvatos, ha gyermekekkel vagy olyan személyekkel együtt használja az eszközt, akik nem olvasták vagy nem teljesen értették meg az előbbieken felsorolt utasításokat.
- Bármilyen legyen is az ok, semmiképpen ne kísérelje meg szétszerelni az eszközt, ide értve a tükör megtisztítását is. Ha javításra vagy tisztításra szorul az eszköz, akkor keresse fel az erre a célra specializálódott helyi szolgáltatóközpontot.
- Óvja az eszközt a hirtelen behatásoktól és a hosszabb ideig tartó mechanikai erőktől.
- Az optikai elemek felületéhez soha ne érjen az ujjával. Az eszköz külső megtisztításához használja a Levenhuk által erre a célra gyártott tisztítókendőt és optikai tisztító eszközöket.
- Száraz, hűvös helyen tárolja az eszközt, veszélyes savaktól és egyéb kémiai anyagoktól elkülönítetten, hősugárzóktól, nyílt lángtól és egyéb, magas hőmérsékletet leadni képes forrásoktól távol.
- Minden esetben tegye vissza a porvédő kupakot a teleszkóp elülső végére amikor az nincs használatban. Ezzel megakadályozhatja, hogy por rakódjon le a tükörre vagy a lencsék felületére.
- **A gyermekek a teleszkópot csak felnőtt felügyelete mellett használhatják.**

A Levenhuk nemzetközi, élettartamra szóló szavatossága

A Levenhuk vállalat a kiegészítők kivételével az összes Levenhuk gyártmányú teleszkóphoz, mikroszkóphoz, kétszemes távcsőhöz és egyéb optikai termékhez **élettartamra szóló** szavatosságot nyújt az anyaghibák és/vagy a gyártási hibák vonatkozásában. Az élettartamra szóló szavatosság a termék piaci forgalmazási időszakának a végéig érvényes. A Levenhuk-kiegészítőkhöz a Levenhuk-vállalat a kiskereskedelmi vásárlás napjától számított **két évig** érvényes szavatosságot nyújt az anyaghibák és/vagy a gyártási hibák vonatkozásában. A Levenhuk vállalat vállalja, hogy a Levenhuk vállalat általi megvizsgálás során anyaghibásnak és/vagy gyártási hibásnak talált terméket vagy termékalkatrészt megjavítja vagy kicseréli. A Levenhuk vállalat csak abban az esetben köteles megjavítani vagy kicserélni az ilyen terméket vagy termékalkatrészt, ha azt a Levenhuk vállalat számára elfogadható vásárlási bizonylattal együtt visszaküldi a Levenhuk vállalat felé.

További részletekért látogasson el weboldalunkra: www.levenhuk.hu/garancia

Amennyiben garanciális probléma lépne fel vagy további van szüksége a termék használatát illetően, akkor vegye fel a kapcsolatot a helyi Levenhuk üzlettel.

Caro amico!

I telescopi Levenhuk LabZZ TK ti faranno entrare nel favoloso mondo delle entusiasmanti scoperte scientifiche! Con il telescopio compreso nel kit è possibile esaminare la Luna, i pianeti e le stelle più luminose, svelare i misteri del cosmo infinito e osservare gli oggetti celesti più lontani. La tua esperienza con il Levenhuk LabZZ TK sarà istruttiva e divertente. Leggi con attenzione tutto il manuale prima di iniziare a usare il telescopio o il microscopio. E conservalo, potrebbe tornarti utile.

Informazioni per i genitori

Cari adulti! Ricordate che siete responsabili dei vostri figli in ogni momento. Accertatevi sempre che i bambini siano al sicuro mentre utilizzano il microscopio o il telescopio. Leggete attentamente l'intero manuale, soprattutto le istruzioni per la cura e la manutenzione.

Anche se i vostri bambini sono già grandi e in grado di leggere, ripetete con loro le regole a voce alta almeno una volta prima di iniziare a usare lo strumento. Assicuratevi che vostro figlio o vostra figlia abbiano capito tutte le istruzioni.

ATTENZIONE! PERICOLO DI SOFFOCAMENTO! Questi strumenti contengono piccole parti. I telescopi sono progettati per bambini di età superiore ai 5 anni e devono essere usati sotto la supervisione di un adulto.

Montaggio del telescopio

1. **Obiettivi.** La parte più importante del telescopio. L'obiettivo è un sistema di lenti che raccoglie la luce proveniente dagli oggetti distanti e ne forma l'immagine. L'obiettivo deve sempre essere puntato in direzione dell'oggetto che vuoi osservare.
2. **Tubo del telescopio.** I raggi di luce raccolti dall'obiettivo viaggiano lungo il tubo ottico per arrivare fino all'oculare.
3. **Oculare.** Tramite l'oculare, puoi guardare la Luna, i pianeti e le stelle. L'oculare ingrandisce l'immagine di un corpo celeste tantissime volte, è per questo che ti apparirà molto più grande rispetto a quando lo osservi a occhio nudo.
4. **Paraluce.** Si tratta di un tubo corto, da inserire sopra all'obiettivo. Serve per impedire che la luce proveniente dai lampioni, dai fari delle auto, dalle finestre e da altre sorgenti luminose vicine a te possa entrare nell'obiettivo e rovinare l'immagine del corpo celeste che desideri vedere.
5. **Specchio primario.** Una delle parti più importanti di un telescopio riflettore. Con l'aiuto dello specchio primario, i raggi luminosi sono raccolti in un singolo fascio. Questo specchio è realizzato con uno speciale vetro dotato di un rivestimento protettivo, quindi assicurati di non toccarlo.
6. **Cercatore:** si tratta di un piccolo telescopio che si aggancia al tubo del telescopio più grande. Il cercatore ha un ingrandimento piccolo e un ampio campo visivo (quest'ultimo termine significa che puoi vedere un'area più ampia di cielo alla volta). Il cercatore è pensato per aiutarti a trovare più facilmente e più velocemente il corpo celeste che vuoi vedere. Una volta trovato l'oggetto tramite il cercatore, potrai osservarlo in dettaglio grazie al telescopio.
7. **Supporto del cercatore:** è necessario per fissare il cercatore al tubo del telescopio. **4**
8. **Viti di regolazione del cercatore:** servono a inquadrare l'oggetto osservato nel modo più accurato possibile. Ruota le viti in modo che l'immagine sia centrata. **7**
9. **Montatura a forcella:** si usa per il fissaggio stabile del tubo ottico sulla montatura.
10. **Foccheggiatore:** è uno speciale dispositivo in cui inserire l'oculare. Il foccheggiatore è necessario per spostare l'oculare più vicino o più lontano rispetto all'obiettivo. Grazie a questo movimento, potrai ottenere il massimo della nitidezza per le tue immagini.
11. Se l'immagine che vedi attraverso l'oculare non è nitida, ruota la **manopola della messa a fuoco** con molta attenzione. **6a 6b**
12. **Diagonale a specchio.** Se desideri osservare gli oggetti posti direttamente in verticale rispetto alla tua posizione, usa un diagonale a specchio per non dover inclinare la testa all'indietro. Il diagonale a specchio si inserisce nel foccheggiatore. Esso devia i raggi luminosi, così tu potrai osservare il cielo restando in una posizione più comoda.
13. **Montatura altazimutale:** si tratta di uno speciale meccanismo che consente di muovere il tubo del telescopio in su e in giù, a destra e a sinistra.
14. **Manopola di bloccaggio azimutale** muove il tubo in orizzontale.
15. **Manopola di blocco dell'altezza** muove il tubo in verticale.
16. **Regolazione fine dell'altezza** si usa per la regolazione del telescopio dopo averne impostato la posizione verticale e ti permette di muovere con fluidità il tubo ottico del telescopio.
17. **Treppiede.** Il telescopio deve essere ben stabile, così l'immagine che osservi non sarà tremolante. Ecco perché il tubo va installato su di un supporto speciale: il treppiede.
18. **Manopola di blocco del treppiede:** consente di bloccare saldamente l'altezza del treppiede dopo aver regolato la lunghezza delle gambe. Svitare la manopola di bloccaggio per allungare o accorciare le gambe del treppiede. Serrare la manopola di bloccaggio per fissare la lunghezza delle gambe del treppiede. **2**
19. **Vassoio degli accessori:** è posizionato tra le gambe del treppiede. È possibile usarlo per appoggiarvi gli oculari di ricambio, un diagonale a specchio, una lente di Barlow e altri accessori. Inoltre, il vassoio aiuta a stabilizzare il telescopio.

Come assemblare il tuo telescopio

È davvero importante assemblare il telescopio correttamente, affinché funzioni nel modo giusto. Esamina il telescopio con attenzione. Cerca di ricordare il nome di tutti i componenti, qual è la loro posizione e a che cosa servono. È meglio assemblare il telescopio con l'aiuto di un adulto.

1. Apri la scatola e tira fuori tutti i componenti. Controlla di nuovo che la scatola sia vuota: alcune piccole parti potrebbero essere ancora all'interno.
2. Allenta gradualmente le manopole di blocco del treppiede ed estrai con delicatezza la sezione inferiore di ogni gamba del treppiede. Serra i blocchi per mantenere le gambe in posizione. Allarga le gambe del treppiede per posizionarlo ben dritto (tranne LabZZ TK50).
3. Allarga le gambe del treppiede e posizionalo su una superficie piana, in modo che sia stabile.
4. Posiziona il vassoio porta-accessori in cima al supporto e fissalo con le viti a testa alettata. Inserisci la montatura equatoriale sulla testa del treppiede (tranne LabZZ TK50).
Attenzione! Non stringere troppo la vite, rischi di danneggiare involontariamente la filettatura.
5. Allenta le viti di montaggio del cercatore e infila il cercatore nella sua base. Stringi tutte le viti, facendo attenzione. Il cercatore va installato in modo che punti nella stessa direzione del tubo del telescopio. Per allineare il cercatore, scegli un oggetto distante almeno 500 m e punta il telescopio su di esso. Regola il telescopio in modo che l'oggetto sia al centro del campo visivo dell'oculare. Controlla se l'oggetto è anche al centro del mirino del cercatore. Utilizza le viti di regolazione per centrare il mirino del cercatore sull'oggetto.

Come installare la montatura

Montatura senza forcella 3a

- Rimuovi la manopola di blocco dell'altezza dalla testa della montatura.
- Posiziona il tubo ottico del telescopio sulla montatura altazimutale in modo che il foro sul tubo sia allineato a quello sulla testa della montatura.
- Inserisci la manopola di blocco dell'altezza attraverso la testa della montatura e il tubo ottico. Assicurati che il foro sia libero fino in fondo prima di serrare la manopola. Serra la manopola di blocco dell'altezza.

Montatura a forcella 3b

- Rimuovi la vite dal meccanismo di regolazione fine dell'altezza.
- Inserisci il meccanismo di regolazione fine dell'altezza nel foro a lato della montatura a forcella.
- Posiziona il tubo del telescopio tra i bracci della forcella in modo che i fori sul tubo corrispondano a quelli sui bracci. Fissa il tubo del telescopio alla montatura con le viti a testa alettata.
- Fissa l'altra estremità del meccanismo di regolazione fine dell'altezza al tubo, connettendo i rispettivi fori delle viti con il tubo del telescopio.

Come far funzionare il telescopio

Prima di iniziare le osservazioni è importantissimo installare correttamente l'oculare e tutti i componenti aggiuntivi.

Foceggiatore: Gira la manopola della messa a fuoco verso il telescopio fino ad arrivare a fine corsa. Poi, inizia a girare lentamente la manopola verso di te finché l'immagine non è nitida. 6a 6b **Attenzione!** Prima di mettere a fuoco l'immagine (regolarne la nitidezza), assicurati che l'oculare sia inserito nel foceggiatore. Altrimenti, non vedrai nessuna immagine.

Oculare raddrizzatore. Nella scatola del telescopio troverai due oculari (tranne LabZZ TK76). L'oculare raddrizzatore può essere usato per l'osservazione della Luna e dei pianeti, oltre che per osservare numerosi oggetti terrestri distanti, come edifici, torri, antenne e molto altro!

Attenzione! L'oculare raddrizzatore deve essere inserito direttamente nel foceggiatore, senza diagonale a specchio.

Diagonale a specchio: Estrai l'oculare raddrizzatore e inserisci il diagonale a specchio nel foceggiatore.

Oculare. Una volta inserito il diagonale a specchio nel foceggiatore, inserisci l'oculare. È meglio iniziare le osservazioni con un oculare a basso ingrandimento e ad ampio campo visivo. 5a 5b

Lente di Barlow. La lente di Barlow viene usata insieme a un oculare per ottenere il massimo ingrandimento possibile. Essa allarga il cono di luce focalizzata prima che raggiunga il punto di fuoco, facendo sì che la focale del telescopio appaia più lunga in ingresso all'oculare. Oltre ad aumentare l'ingrandimento, i vantaggi dell'uso di una lente di Barlow comprendono una maggiore estrazione pupillare e una riduzione dell'aberrazione sferica dell'oculare. Perciò, la combinazione di lente normale e una lente di Barlow spesso dà risultati migliori che non l'uso di una lente singola, a parità di ingrandimento. Il miglior vantaggio risiede nel fatto che una lente di Barlow è potenzialmente in grado di raddoppiare il numero di oculari a disposizione.

Come iniziare a osservare

ATTENZIONE! Non utilizzare in nessun caso questo apparecchio per guardare direttamente il sole, un'altra sorgente di luce ad alta luminosità o un laser , perché ciò potrebbe provocare danni permanenti alla retina e portare a cecità.

Prima di iniziare a esplorare il cosmo, dovresti cominciare a maneggiare il telescopio durante il giorno. Usa l'oculare raddrizzatore per osservare diversi oggetti terrestri: case, alberi, antenne sui tetti e molti altri! In questo modo imparerai a controllare il telescopio e a puntarlo verso gli oggetti desiderati. Inoltre, è davvero divertente!

Attenzione! Il telescopio deve essere usato in un luogo protetto dal vento.

Quando osservi la Luna, i pianeti e le stelle di notte, ricorda di scegliere sempre una postazione lontana da lampioni, fari d'auto e finestre accese. Cerca di effettuare le tue osservazioni nelle notti in cui le stelle sono ben visibili e luminose.

Punta il telescopio verso l'oggetto desiderato, per esempio, verso la Luna. Osservando attraverso il cercatore, muovi lentamente il tubo finché l'oggetto non si trova al centro. Ora osserva tramite l'oculare e vedrai l'immagine dell'oggetto molto ingrandita!

Quando usi il telescopio, sii paziente e presta attenzione. Non maneggiarlo in modo brusco e non spostarlo dalla sua posizione. Con un po' di pratica, imparerai a muovere il tubo del telescopio senza far uscire l'oggetto dal campo visivo dell'oculare.

Specifiche

	LabZZ TK50	LabZZ TK60	LabZZ TK76
Design ottico	rifrattore		riflettore newtoniano
Materiale delle ottiche	vetro ottico con rivestimento antiriflesso		
Apertura, mm	50	60	76
Distanza focale, mm	360	700	700
Potere di ingrandimento utile massimo, x	100	120	152
Rapporto focale	f/7	f/11,6	f/9
Materiale tubo	metallo		
Montaggio	azimut (AZ)		
Diametro barilotto dell'oculare	0,965"		1,25"
Treppiede	alluminio, 350 mm	alluminio, 600–1000 mm	
Ripiano per accessori	–	+	
Mirino	–	5x24, ottico	
Oculari	6 mm, 20 mm	4 mm, 12,5 mm, 20 mm	
Specchio diagonale	90°		–
Lente di Barlow	–	3x	2x
Oculare raddrizzatore	1,5x		–

Levenhuk si riserva il diritto di modificare qualsiasi prodotto o sospenderne la produzione senza alcun preavviso.

Cura e manutenzione

- **Non utilizzare in nessun caso questo apparecchio per guardare direttamente il sole, un'altra sorgente di luce ad alta luminosità o un laser, perché ciò potrebbe provocare DANNI PERMANENTI ALLA RETINA e portare a CECITÀ.**
- Nel caso si utilizzi l'apparecchio in presenza di bambini o altre persone che non siano in grado di leggere o comprendere appieno queste istruzioni, prendere le precauzioni necessarie.
- Non cercare per nessun motivo di smontare autonomamente l'apparecchio. Per qualsiasi intervento di riparazione e pulizia, contattare il centro di assistenza specializzato di zona.
- Proteggere l'apparecchio da urti improvvisi ed evitare che sia sottoposto ad eccessiva forza meccanica.
- Non toccare le superfici ottiche con le dita. Per pulire l'esterno dell'apparecchio, utilizzare soltanto le salviette apposite e gli strumenti di pulizia dell'ottica apposti offerti da Levenhuk.
- Conservare l'apparecchio in un posto fresco e asciutto, al riparo da acidi pericolosi e altri prodotti chimici, da apparecchi di riscaldamento, da fiamme libere e da altre fonti di calore.
- Quando il telescopio non è in uso, ricollocare il coperchio antipolvere sulla sua estremità anteriore. In questo modo si evita che la polvere si depositi sulle superfici dello specchio o delle lenti.
- **I bambini dovrebbero utilizzare il telescopio soltanto con la supervisione di un adulto.**

Garanzia internazionale Levenhuk

Tutti i telescopi, i microscopi i binocoli e gli altri prodotti ottici Levenhuk, ad eccezione degli accessori, godono di una **garanzia a vita** per i difetti di fabbricazione o dei materiali. Garanzia a vita rappresenta una garanzia per la vita del prodotto sul mercato. Tutti gli accessori Levenhuk godono di una garanzia di **due anni** a partire dalla data di acquisto per i difetti di fabbricazione e dei materiali. Levenhuk riparerà o sostituirà i prodotti o relative parti che, in seguito a ispezione effettuata da Levenhuk, risultino presentare difetti di fabbricazione o dei materiali. Condizione per l'obbligo di riparazione o sostituzione da parte di Levenhuk di tali prodotti è che il prodotto venga restituito a Levenhuk unitamente ad una prova d'acquisto la cui validità sia riconosciuta da Levenhuk.

Per maggiori dettagli, visitare il nostro sito web: www.levenhuk.eu/warranty

Per qualsiasi problema di garanzia o necessità di assistenza per l'utilizzo del prodotto, contattare la filiale Levenhuk di zona.

Drogi Użytkowniku!

Teleskopy Levenhuk LabZZ TK otwierają drzwi do wspaniałego świata odkryć naukowych! Dołączony do zestawu teleskop umożliwia badanie Księżyca, planet i jasnych gwiazd, odkrywanie tajemnic bezkresnego Wszechświata oraz obserwację nawet najdalej położonych obiektów. Odkrycia dokonywane przy użyciu teleskopów Levenhuk LabZZ TK nie tylko poszerzają wiedzę, ale też sprawiają wiele radości.

Przed rozpoczęciem użytkowania teleskopu lub mikroskopu dokładnie zapoznaj się z całą instrukcją obsługi. Zachowaj ją na przyszłość, gdyż może przydać się później.

Informacje dla rodziców

Drogi Rodzicu! Jako osoba sprawująca opiekę rodzicielską nad dzieckiem odpowiadasz za jego bezpieczeństwo. Podczas użytkowania z mikroskopu lub teleskopu pamiętaj, aby zawsze zapewnić dziecku bezpieczne warunki pracy.

Dokładnie zapoznaj się z całą instrukcją obsługi, zwracając szczególną uwagę na instrukcje dotyczące obchodzenia się z przyrządami i ich konserwacji.

Nawet jeśli dziecko jest starsze i potrafi już czytać, jeszcze raz powtórz na głos zasady użytkowania przyrządów. Sprawdź, czy dziecko w pełni rozumie te instrukcje.

UWAGA! RYZYKO ZADŁAWIENIA! Przyrządy zawierają drobne części. Teleskopy zostały zaprojektowane dla dzieci powyżej 5 i powinny być używane wyłącznie pod nadzorem osoby dorosłej.

Budowa teleskopu

1. **Obiektyw.** Jest to najważniejsza część teleskopu. Obiektyw składa się z układu soczewek, który zbiera światło odległych obiektów i odtwarza ich obraz. Element ten powinien być zawsze zwrócony w stronę obiektu, który zamierzasz obserwować.
2. **Tubus teleskopu.** Wiązki światła zebrane przez obiektyw są przesyłane przez tubus optyczny i docierają do okularu.
3. **Okular.** Księżyc, planety i gwiazdy ogląda się przez okular. Wielokrotnie powiększa on obraz obserwowanych obiektów – dlatego właśnie wszystko, co obserwujesz, wygląda na większe, niż gdy spoglądasz na to gołym okiem.
4. **Odrośnik.** Osłona ma postać krótkiej tuby umieszczonej na obiektywie. Jej zadaniem jest zatrzymywanie światła ulicznych latarni, samochodów, światła przedostającego się przez okna, a także pochodzącego z innych pobliskich źródeł. Dzięki niej nie dociera ono do obiektywu, co gwarantuje wysoką jakość obrazu obserwowanego obiektu.
5. **Lustro główne.** Jedna z najważniejszych części teleskopu zwierciadlanego. Lustro główne służy do zbierania promieni światła i przekazywania ich dalej w postaci wiązki. To lustro jest wykonane ze specjalnego szkła z powłoką ochronną – należy pamiętać, aby go nie dotykać.
6. **Luneta nastawcza** to mały teleskop zamocowany na tubusie dużego teleskopu. Cechuje się on niewielkim powiększeniem i szerokim polem widzenia (co oznacza, że można obserwować większy obszar). Luneta nastawcza umożliwia szybsze i łatwiejsze znajdowanie szukanych obiektów. Po znalezieniu obiektu za pomocą lunety nastawczej można go w większym powiększeniu przez teleskop.
7. **Wspornik celowniczy** służy przymocowaniu jej do tubusu teleskopu. **4**
8. **Śruby do regulacji lunety nastawczej** pomagają precyzyjnie ustawić obraz na obserwowanym obiekcie. Obracaj śruby, aby wypośredkować obraz w okularze. **7**
9. **Montaż widłowy** pozwala stabilnie zamocować tubus teleskopu do montażu.
10. **Wyciąg** to specjalne urządzenie, w którym umieszczony jest okular. Umożliwia on przybliżanie okularu do obiektywu lub oddalanie go od niego. W ten sposób można uzyskać maksymalną wyrazistość obrazu.
11. Jeśli oglądany przez okular obraz jest niewyraźny, ostrożnie obróć **pokrętło regulacji ostrości**. **6a 6b**
12. **Lustro diagonalne.** Jeśli zamierzasz obserwować obiekty znajdujące się nad Twoją głową, użyj lustra diagonalnego, aby uniknąć przechylenia głowy do tyłu. Lustro diagonalne jest zamontowane w wyciągu. Odbija ono wiązki światła, co pozwala na zajęcie wygodniejszej pozycji w czasie prowadzenia obserwacji.
13. **Montaż azymutalny** jest specjalnym mechanizmem umożliwiającym zmianę pozycji tubusu teleskopu w górę i w dół oraz na boki.
14. **Pokrętło blokujące teleskop w poziomie** zmienia pozycję tubusu w poziomie.
15. **Pokrętło blokujące teleskop w pionie** zmienia pozycję tubusu w pionie.
16. **Pokrętło mikroruchów w pionie** służy do precyzyjnej regulacji teleskopu po ustawieniu elewacji, umożliwiając płynniejsze przesuwanie tubusu teleskopu.
17. **Statyw.** Teleskop musi cechować się wyjątkową stabilnością, aby uniknąć drgania obserwowanego obrazu. Dlatego właśnie tubus montowany jest na specjalnej podstawie, którą jest statyw.
18. **Pokrętło blokady statywu** pozwala zablokować ustawienie wysokości statywu po wyregulowaniu długości nóg. Poluzuj pokrętło blokady, aby wydłużyć lub skrócić nogi statywu. Dokręć pokrętło blokady, aby zablokować wysokość nóg statywu. **2**
19. **Półka na akcesoria** jest między nogami statywu. Można na niej umieścić zapasowe okulary, lustro diagonalne, soczewkę Barlowa lub inne akcesoria do teleskopu. Półka stabilizuje również teleskop.

Jak prawidłowo złożyć teleskop?

Prawidłowe złożenie teleskopu jest niezwykle ważne dla jego właściwego działania. Dobrze przyjrzyj się swojemu teleskopowi. Spróbuj zapamiętać nazwy jego części, ich lokalizację i funkcje. Najlepiej będzie, jeśli złożysz swój teleskop z pomocą osoby dorosłej.

1. Otwórz pudełko i wyjmij z niego wszystkie elementy. Po opróżnieniu opakowania dokładnie sprawdź, czy na pewno jest ono puste – małe części zestawu mogą wciąż być w środku.
2. Powoli poluzuj pokrętła blokujące statyw i delikatnie wysuń dolne części nóg statywu. Dokręć pokrętła blokujące, aby ustawić określoną wysokość nóg. Rozstaw nogi statywu i ustaw go prosto (oprócz LabZZ TK50).
3. Rozstaw nogi statywu na płaskiej powierzchni, tak aby stał on stabilnie.
4. Umieść półkę na akcesoria na górze wspornika i zabezpiecz ją, przykręcając śruby radetkowane. Zamocuj montaż paralaktyczny na głowicy statywu (oprócz LabZZ TK50).
Uwaga! Unikaj zbyt mocnego dokręcania śruby, ponieważ może to doprowadzić do uszkodzenia gwintu.
5. Poluzuj śruby mocujące lunety nastawczej i wsuń ją w podstawę szukacza. Następnie ostrożnie dokręć śruby. Luneta powinna zostać zamontowana tak, aby była skierowana w tę samą stronę co tubus teleskopu. Aby wyrównać lunetę nastawczą, wybierz obiekt znajdujący się w odległości co najmniej 500 m i skieruj na niego teleskop. Wyreguluj teleskop w taki sposób, aby obiekt znalazł się na środku pola widzenia okularu. Spójrz przez lunetę nastawczą i sprawdź, czy obiekt ten znajduje się również na środku jej krzyżyka. Do ustawienia krzyżyka lunety nastawczej na obiekcie użyj trzech śrub regulacyjnych

Mocowanie montażu

Montaż bez widel 3a

- Wykręć pokrętło blokujące teleskop w pionie z głowicy montażu.
- Umieść tubus optyczny teleskopu na montażu azymutalnym, dopasowując do siebie otwory w obu elementach.
- Wsuń pokrętło blokujące teleskop w pionie przez otwory w głowicy montażu i tubusie optycznym (przed dokręceniem pokrętła sprawdź, czy otwory nie są zablokowane). Przymocuj tubus, przykręcając pokrętło blokujące teleskop w pionie.

Modele z montażem widłowym 3b

- Wykręć śrubę z pokrętła mikroruchów w pionie.
- Włóż pokrętło mikroruchów w pionie do bocznego otworu w montażu widłowym.
- Umieść tubus teleskopu pomiędzy ramionami montażu widłowego tak, aby otwory w tubusie zrównały się z otworami w ramionach. Dokręć tubus teleskopu do montażu śrubami radetkowymi.
- Zamocuj drugi koniec pokrętła mikroruchów w pionie do tubusu, łącząc otwory na śruby pokrętła mikroruchów w pionie i tubusu teleskopu.

Na czym polega praca z teleskopem?

Bardzo ważne jest, aby przed rozpoczęciem obserwacji prawidłowo zamontować okulary i wszystkie dodatkowe elementy.

Wyciąg: maksymalnie obróć pokrętło regulacji ostrości w stronę teleskopu. Następnie zacznij powoli obracać pokrętło w przeciwnym kierunku do momentu, aż obraz stanie się wyraźny. 6a 6b **Uwaga!** Przed ustawieniem ostrości obrazu sprawdź, czy okular został włożony do wyciągu. W przeciwnym razie obraz nie będzie widoczny.

Okular odwracający: w opakowaniu oprócz teleskopu znajdziesz dwa okulary (oprócz LabZZ TK76). Okular odwracający może być stosowany do obserwacji Księżyca i planet. Przy jego użyciu obejrzyś także odległe obiekty ziemskie, w tym budynki, wieże i anteny!

Uwaga! Okular odwracający powinien być umieszczony bezpośrednio wewnątrz wyciągu bez lustra diagonalnego.

Lustro diagonalne: wyjmij okular odwracający i włóż lustro diagonalne do wyciągu.

Okular: po umieszczeniu lustra diagonalnego w wyciągu, włóż do niego okular. Najlepiej rozpocząć obserwacje, używając okularu o małym powiększeniu i szerokim polu widzenia. 5a 5b

Soczewka Barłowa: soczewki Barłowa używa się razem z okularami teleskopu do uzyskania maksymalnego powiększenia. Rozszerza ona stożek skupionego światła przed dotarciem do ogniska, dzięki czemu ogniskowa teleskopu ulegnie wydłużeniu w stosunku do okularu. Oprócz zwiększania powiększenia soczewka Barłowa pomaga zwiększyć oddalenie źrenicy wyjściowej oraz zredukować aberrację sferyczną okularu. Z tego powodu korzystanie z soczewki Barłowa i drugiej soczewki często pozwala uzyskać lepsze rezultaty niż przy korzystaniu z jednej soczewki o tym samym powiększeniu. Najważniejszą zaletą soczewki Barłowa jest możliwość potencjalnego podwojenia liczby posiadanych okularów.

Jak rozpocząć obserwację?

**UWAGA! Nigdy nie patrz przez teleskop na Słońce ani otaczające je niebo!
Może to skutkować uszkodzeniem wzroku, a nawet ślepotą!**

Przed rozpoczęciem odkrywania Kosmosu dobrze jest nauczyć się obsługi teleskopu w ciągu dnia. Użyj okularu odwracającego, aby obserwować rozmaite obiekty ziemskie – domy, drzewa, anteny na dachach i wiele innych! W ten sposób nauczysz się obsługi teleskopu i ustawiania ostrości dla wybranych obiektów. Ponadto sprawi Ci to prawdziwą przyjemność!

Uwaga! Teleskop powinien być używany w miejscu osłoniętym przed wiatrem.

Kiedy rozpoczniesz już obserwacje Księżyca, planet i gwiazd nocą, pamiętaj, aby wybrać się w miejsce oddalone od latarni ulicznych, świateł samochodów i światła przedostającego się przez okna budynków. Postaraj się prowadzić nocne obserwacje, gdy światło gwiazd jest jasne i równomierne.

Skieruj teleskop na wybrany obiekt, na przykład Księżyc. Patrząc przez lunetę nastawczą, powoli zmieniaj pozycję tubusu, aż obiekt będzie znajdował się na samym środku obrazu. Gdy spojrzysz przez okular, zobaczysz wielokrotnie powiększony obraz obserwowanego obiektu!

Pracując z teleskopem, zachowaj ostrożność i cierpliwość. Nie popychaj go ani nie przesuwaj z miejsca, w którym stoi. Po zdobyciu odrobiny doświadczenia nauczysz się zmieniać pozycję tubusu teleskopu bez utraty obiektu z pola widzenia okularu.

Dane techniczne

	LabZZ TK50	LabZZ TK60	LabZZ TK76
Konstrukcja optyczna	refraktor		teleskop zwierciadlany (reflektor)
Materiał układu optycznego	szkło optyczne z powłoką przeciwodblaskową		
Apertura, mm	50	60	76
Ogniskowa, mm	360	700	700
Maksymalne powiększenie, x	100	120	152
Liczba przystony	f/7	f/11,6	f/9
Materiał tubusu	metal		
Montaż	azymut (AZ)		
Tubus ogniskujący	0,965"		1,25"
Statyw	aluminiowy, 350 mm	aluminiowy, 600–1000 mm	
Tacka na akcesoria	–	+	
Szukacz	–	5x24, optyczna	
Okulary	6 mm, 20 mm	4 mm, 12,5 mm, 20 mm	
Lustro ukośne	90°		–
Soczewka Barlowa	–	3x	2x
Okular odwracający	1,5x		–

Levenhuk zastrzega sobie prawo do modyfikowania lub zakończenia produkcji dowolnego produktu bez wcześniejszego powiadomienia.

Konserwacja i pielęgnacja

- Pod żadnym pozorem nie wolno kierować urządzenia bezpośrednio na słońce, światło laserowe lub inne źródło jasnego światła bez stosowania specjalnego filtra, ponieważ może to spowodować TRWAŁE USZKODZENIE SIATKÓWKI lub doprowadzić do ŚLEPOTY.
- Zachowaj szczególną ostrożność, gdy urządzenia używają dzieci lub osoby, które nie w pełni zapoznały się z instrukcjami.
- Nie podejmuj prób samodzielnego demontażu urządzenia, nawet w celu wyczyszczenia lustra. W celu wszelkich napraw i czyszczenia skontaktuj się z punktem serwisowym.
- Chroń urządzenie przed upadkami z wysokości i działaniem nadmiernej siły mechanicznej.
- Nie dotykaj powierzchni optycznych palcami. Do czyszczenia zewnętrznych powierzchni teleskopu używaj tylko specjalnych ściereczek i narzędzi do czyszczenia optyki Levenhuk.
- Przyrząd powinien być przechowywany w suchym, chłodnym miejscu, z dala od niebezpiecznych kwasów oraz innych substancji chemicznych, grzejników, otwartego ognia i innych źródeł wysokiej temperatury.
- Jeśli teleskop nie jest używany, załóż osłonę przeciwpylową na jego przednią część. Zapobiegnie to gromadzeniu się kurzu na powierzchni lustra i soczewki.
- Używanie teleskopu przez dzieci może odbywać się tylko pod nadzorem osób dorosłych.

Gwarancja międzynarodowa Levenhuk

Wszystkie teleskopy, mikroskopy, lornetki i inne przyrządy optyczne Levenhuk, za wyjątkiem akcesoriów, posiadają **dożywotnią gwarancję** obejmującą wady materiałowe i wykonawcze. Dożywotnia gwarancja to gwarancja na cały okres użytkowania produktu. Wszystkie akcesoria Levenhuk są wolne od wad materiałowych i wykonawczych i pozostaną takie przez **dwa lata** od daty zakupu detalicznego. Firma Levenhuk naprawi lub wymieni produkty lub ich części, w przypadku których kontrola prowadzona przez Levenhuk wykáže obecność wad materiałowych lub wykonawczych. Warunkiem wywiązania się przez firmę Levenhuk z obowiązku naprawy lub wymiany produktu jest dostarczenie danego produktu firmie razem z dowodem zakupu uznawanym przez Levenhuk. Więcej informacji na ten temat znajduje się na stronie: www.levenhuk.pl/gwarancja
W przypadku wątpliwości związanych z gwarancją lub korzystaniem z produktu, proszę skontaktować się z lokalnym przedstawicielem Levenhuk.

Caro amigo!

Com os telescópios LabZZ TK da Levenhuk, irá entrar no mundo incrível e empolgante das descobertas científicas! Com o telescópio, é possível estudar a Lua, os planetas e as estrelas brilhantes, desvendar os mistérios do cosmos infinito e observar os objetos mais distantes. A experiência com o LabZZ TK da Levenhuk será tão informativa quanto divertida.

Leia atentamente todo o manual antes de utilizar o telescópio ou o microscópio. Não o perca, pois poderá ser necessário mais tarde.

Informação para os pais

Caro adulto! Lembre-se de que é sempre responsável pelo seu filho. Garanta sempre a segurança da criança ao trabalhar com o telescópio. Leia cuidadosamente todo o manual, especialmente as instruções de manuseio e manutenção.

Mesmo que o seu filho tenha idade suficiente e leia bem, repita todas as regras em voz alta mais uma vez antes de começar a trabalhar com os instrumentos. Certifique-se de que a criança compreende claramente estas instruções.

ATENÇÃO! PERIGO DE ASFIXIA! Estes dispositivos incluem peças pequenas. Os telescópios foram concebidos para crianças com mais de 5 anos de idade e devem ser utilizados apenas sob supervisão de adultos.

Construção do telescópio

1. **Objetiva.** A parte mais importante do telescópio. A objetiva é um sistema de lentes que captura a luz do objeto distante e forma a sua imagem. A objetiva deve sempre ser apontada na direção do objeto a observar.
2. **Tubo do telescópio.** Os raios de luz capturados pela objetiva percorrem o tubo ótico para entrarem na ocular.
3. **Ocular.** Pode ver-se a Lua, os planetas e as estrelas através da ocular. A ocular amplia imagens de objetos muitas vezes e é por isso que todos os objetos parecem maiores do que quando observados a olho nu.
4. **Tampa anti-humidade.** A proteção da luz solar é um tubo curto que é colocado na objetiva. É necessário para não permitir que a luz das lâmpadas de rua, luzes dos carros, janelas e outras fontes de luz próximas entrem na objetiva e estraguem a imagem resultante do objeto a observar.
5. **Espelho principal.** Uma das peças mais importantes é o refletor. Com a ajuda do espelho principal, os raios de luz dispersos formam um único raio. O espelho é feito de um vidro especial e tem um revestimento protetor para garantir que não toca nele diretamente.
6. **Buscador** – é um pequeno telescópio que está fixo ao tubo do telescópio grande. O buscador tem uma pequena ampliação e um campo de visão amplo (este último significa que podem ser vistas áreas maiores ao mesmo tempo). O buscador serve para ajudar a encontrar o objeto pretendido de forma mais rápida e fácil. Após o objeto ser encontrado com o buscador, pode ser observado em detalhe através do telescópio.
7. **Suporte do buscador** é necessário para fixar o buscador ao tubo do telescópio. **4**
8. **Parafusos de ajuste do buscador** irão ajudá-lo a ajustar o mais corretamente possível o objeto que está a observar. Rode os parafusos para centrar a imagem. **7**
9. **Montagem em garfo** é utilizada para estabilizar o tubo do telescópio no suporte de montagem.
10. **Tubo de focagem** – é um dispositivo especial no qual a ocular está inserida. O tubo de focagem é necessário para aproximar ou afastar a ocular da objetiva. Assim, é possível obter a máxima nitidez das imagens.
11. Se a imagem vista através da ocular não estiver nítida, rode o **botão de focagem** com cuidado. **6a 6b**
12. **Espelho diagonal.** Para observar objetos bem acima da cabeça, utilize o espelho diagonal para que não tenha de inclinar a cabeça para trás. O espelho diagonal está inserido no focalizador. Desvia os raios de luz para que seja possível observar a partir de uma posição mais confortável.
13. **Montagem altazimutal** – é um mecanismo especial que permite mover o tubo do telescópio para cima e para baixo, para a direita e para a esquerda.
14. **Botão de bloqueio do azimute** move o tubo na horizontal.
15. **Botão de bloqueio da altitude** move o tubo na vertical.
16. **Controlo de movimento lento de altitude** é utilizado para fixar o telescópio depois de o ajustar na vertical e permite-lhe mover o tubo do telescópio sem problemas.
17. **Tripé.** O telescópio deve estar muito estável para que as imagens visualizadas não fiquem tremidas. Por isso, o tubo está instalado num suporte especial – o tripé.
18. O **botão de bloqueio do tripé** permite fixar adequadamente a altura do tripé depois de regular a altura das respetivas pernas. Desaperte o botão de bloqueio para estender ou retraindo as pernas do tripé. Aperte o botão de bloqueio para fixar a altura das pernas do tripé. **2**
19. O **tabuleiro de acessórios** encontra-se entre as pernas do tripé. Pode colocar oculares de substituição, um espelho diagonal, uma lente Barlow e outros acessórios para telescópio no tabuleiro de acessórios. O tabuleiro também ajuda a estabilizar o telescópio.

Como montar o telescópio

É muito importante montar o telescópio corretamente para que funcione da forma certa. Examine o telescópio cuidadosamente. Tente lembrar-se dos nomes das peças, onde fica cada peça e para que é necessária. É melhor montar o telescópio com a ajuda de um adulto.

1. Abra a caixa e retire todas as peças. Verifique novamente a caixa quando estiver vazia, porque podem ter lá ficado algumas peças pequenas.

2. Desaperte lentamente os botões de bloqueio do tripé e, com cuidado, puxe a secção inferior de cada perna do tripé. Aperte as abraçadeiras para fixar as pernas. Afaste as pernas do tripé e coloque o tripé na vertical (exceto LabZZ TK50).
3. Afaste as pernas do tripé e instale-o numa superfície plana, para que fique estável.
4. Coloque o tabuleiro de acessórios sobre o suporte e prenda-o com parafusos, em baixo. Monte o suporte equatorial na cabeça do tripé (exceto LabZZ TK50).
Atenção! Não aperte demasiado o parafuso, porque pode danificar acidentalmente a rosca.
5. Desaperte os parafusos de montagem do buscador e faça deslizar na base do buscador. Aperte cuidadosamente os parafusos. O buscador deve ser instalado de modo a apontar na mesma direção do tubo do telescópio. Para alinhar o buscador, escolha um objeto que esteja a uma distância de pelo menos 500 metros e aponte o telescópio para o objeto. Ajuste o telescópio de modo a colocar o objeto no centro da mira da ocular. Verifique o buscador para ver se o objeto também está centrado na mira. Use três parafusos de ajuste para centrar a mira do buscador no objeto.

Como instalar o suporte de montagem

Montagem sem forquilha 3a

- Remova o botão de bloqueio da altitude da cabeça de montagem.
- Coloque o tubo ótico do telescópio na montagem em altazimute de modo a que o orifício no tubo ótico fique alinhado com o orifício na cabeça de montagem.
- Insira o botão de bloqueio da altitude na cabeça de montagem e no tubo ótico. Certifique-se de que o orifício está livre antes de apertar o botão. Fixe o botão de bloqueio da altitude.

Montagem em garfo 3b

- Remova o parafuso do controlo de movimento lento de altitude.
- Insira o controlo de movimento lento de altitude no orifício lateral do suporte de montagem em garfo.
- Coloque o tubo do telescópio entre os braços do garfo de modo a que os orifícios no tubo correspondam aos orifícios do braço. Fixe o tubo do telescópio à montagem com parafusos.
- Fixe a outra extremidade do controlo de movimento lento de altitude ao tubo, ligando os orifícios para parafusos do mesmo controlo e do tubo do telescópio.

Como utilizar o telescópio

Antes de iniciar as observações, é muito importante instalar as oculares e todas as peças adicionais corretamente.

Tubo de focagem: rode o botão de focagem na direção do telescópio até ao máximo. Em seguida, comece a girar o botão na sua direção muito lentamente até que a imagem fique clara. 6a 6b **Atenção!** Antes de focar a vista (ajustando a nitidez), a ocular deverá estar inserida no focalizador. Caso contrário, não será possível ver uma imagem.

Sistema de alongamento da ocular: na caixa do telescópio encontra-se o sistema de alongamento da ocular (exceto LabZZ TK76). O sistema de alongamento da ocular pode ser utilizado para observações lunares e planetárias, bem como para observar um elevado número de objetos terrestres distantes, tais como edifícios, torres, antenas e muitos outros!

Atenção! O sistema de alongamento da ocular deve ser inserido diretamente no focalizador, sem o espelho diagonal.

Espelho diagonal. Retire o sistema de alongamento da ocular e insira o espelho diagonal no focalizador.

Oculares. Após a inserção do espelho diagonal no focalizador, deverá ser inserida a ocular no mesmo. É melhor começar a utilizar uma ocular com pouca ampliação e um amplo campo de visão. 5a 5b

Lente de Barlow. A lente de Barlow é utilizada juntamente com as oculares para obter o máximo de ampliação. Expande o cone da luz direcionada antes de alcançar o ponto focal, de modo que o comprimento focal do telescópio pareça mais longo na ocular. Além de aumentar a ampliação, a utilização de uma lente de Barlow tem como benefícios um maior alívio para os olhos e uma menor aberração esférica da ocular. Por esta razão, uma Barlow mais uma lente superam, muitas vezes, uma única lente com a mesma ampliação. A melhor vantagem é que uma lente de Barlow pode duplicar o número de oculares na sua coleção.

Como começar a observar

ATENÇÃO! Nunca olhe diretamente para o Sol nem para a área do céu que o rodeia através de um telescópio! Tal pode causar danos oculares permanentes e levar à cegueira!

Antes de começar a explorar o cosmos, é necessário aprender a utilizar o telescópio durante o dia. Utilize o sistema de alongamento da ocular para observar diferentes objetos terrestres: casas, árvores, antenas nos telhados e muito mais! Desta forma, é possível aprender a controlar o telescópio e a concentrar-se nos objetos pretendidos. Além disso, é muito divertido!
Atenção! O telescópio deve ser utilizado num local protegido do vento.

Quando chegar à observação da Lua, planetas e estrelas à noite, deverão ser escolhidos locais longe de luzes da rua, dos carros e das janelas. Tente observar em noites em que as estrelas têm um brilho forte e uniforme.

Aponte o telescópio para o objeto pretendido, como, por exemplo, a Lua. Olhando através do buscador, mova lentamente o tubo até que o objeto esteja no centro. Agora, através da ocular, é possível ver a imagem do objeto ampliado muitas vezes! Ao utilizar o telescópio, é necessário ter cuidado e paciência. Não o empurre e não o tire do lugar. Após algum treino, é possível aprender a mover o tubo do telescópio sem perder o objeto na ocular.

Especificações

	LabZZ TK50	LabZZ TK60	LabZZ TK76
Estrutura ótica	refractor		Refletor newtoniano
Material ótico	vidro ótico com revestimento anti-reflexo		
Abertura, mm	50	60	76
Distância focal, mm	360	700	700
Ampliação máxima prática, x	100	120	152
Abertura focal	f/7	f/11,6	f/9
Material do tubo	metal		
Montagem	azimute (AZ)		
Diâmetro da ocular	0,965"		1,25"
Tripé	alumínio, 350 mm	alumínio, 600–1000 mm	
Tabuleiro de acessórios	–	+	
Buscador	–	5x24, óptico	
Oculares	6 mm, 20 mm	4 mm, 12,5 mm, 20 mm	
Espelho diagonal	90°		–
Lente de Barlow	–	3x	2x
Sistema de alongamento	1,5x		–

O fabricante se reserva no direito de fazer alterações na variedade e nas especificações dos produtos sem notificação prévia.

Cuidado e manutenção

- **Nunca, em qualquer circunstância, olhe diretamente para o Sol, ou para outra fonte de luz intensa, ou para um laser através deste dispositivo, pois isso pode causar DANOS PERMANENTES À RETINA e pode levar à CEGUEIRA.**
- Tome as precauções necessárias quando usar o dispositivo com crianças, ou com outras pessoas que não leram, ou não compreenderam totalmente estas instruções.
- Não tente desmontar o dispositivo por conta própria por qualquer motivo, incluindo para limpar o espelho. Para fazer consertos e limpezas de qualquer tipo, por favor entre em contato com seu centro de serviços especializados.
- Proteja o dispositivo de impactos súbitos e de força mecânica excessiva.
- Não toque nas superfícies ópticas com seus dedos. Para limpar o exterior do dispositivo, use apenas lenços especiais para limpeza e ferramentas especiais de limpeza óptica da Levenhuk.
- Guarde o dispositivo em um local seco e fresco, longe de ácidos perigosos e outros produtos químicos, de aquecedores, de fogo e de outras fontes de altas temperaturas.
- Sempre recoloque a capa de poeira quando terminar suas observações para proteger o dispositivo da poeira e evitar manchas.
- Procure um médico imediatamente se uma peça pequena ou uma pilha for engolida.
- **Crianças só devem usar o telescópio sob a supervisão de um adulto.**

Garantia vitalícia internacional Levenhuk

Todos os telescópios, microscópios, binóculos ou outros produtos ópticos Levenhuk, exceto seus acessórios, são acompanhados de **garantia vitalícia** contra defeitos dos materiais e acabamento. A garantia vitalícia é uma garantia para a vida útil do produto no mercado. Todos os acessórios Levenhuk têm garantia de materiais e acabamento livre de defeitos por **dois anos** a partir da data de compra. A Levenhuk irá reparar ou substituir o produto ou sua parte que, com base em inspeção feita pela Levenhuk, seja considerado defeituoso em relação aos materiais e acabamento. A condição para que a Levenhuk repare ou substitua tal produto é que ele seja enviado à Levenhuk juntamente com a nota fiscal de compra.

Para detalhes adicionais, visite nossa página na internet: www.levenhuk.eu/warranty

Se surgirem problemas relacionados à garantia ou se for necessária assistência no uso do produto, contate a filial local da Levenhuk.

Дорогой друг!

Детский телескоп Levenhuk LabZZ ТК откроет тебе двери в мир захватывающих явлений! С помощью телескопа ты сможешь изучать Луну, планеты и яркие звезды, разгадывать загадки огромного космоса. Мы надеемся, что время, проведенное с телескопом Levenhuk LabZZ, будет для тебя и полезным, и очень увлекательным. Внимательно прочти всю инструкцию перед использованием телескопа. Не теряй ее: она может еще понадобиться.

Информация для родителей

Уважаемые взрослые! Помните, что вы несете ответственность за ребенка. Сделайте все возможное для обеспечения его полной безопасности при работе с телескопом. Внимательно прочтите всю инструкцию, особенно правила обращения с прибором и ухода за ним. Даже если ребенок достаточно взрослый и прекрасно умеет читать, проговорите с ним все эти правила вслух. Убедитесь, что ребенок твердо усвоил их ДО начала работы.

ВНИМАНИЕ! ОПАСНОСТЬ УДУШЬЯ! В этих приборах есть мелкие детали. Телескопы предназначены для детей не младше 5 лет. Работать с ними можно только под присмотром взрослых.

Как устроен телескоп?

1. **Объектив.** Это самая важная часть телескопа. Объектив – это система линз, которая собирает лучи света от удаленного объекта и формирует его изображение. Объектив нужно всегда направлять в сторону того объекта, который ты хочешь рассмотреть.
2. **Труба телескопа.** По трубе телескопа лучи света, собранные объективом, попадают в окуляр.
3. **Окуляр.** Именно через окуляр ты смотришь на Луну, планеты и звезды. Окуляр увеличивает изображение, поэтому все объекты выглядят крупнее, чем их можно увидеть невооруженным глазом.
4. **Защитная бленда.** Бленда – это короткая трубка, которая надевается на объектив. Это нужно, чтобы свет от фонарей, фар, окон и других ближних источников не попадал в объектив и не мешал получить изображение удаленных объектов.
5. **Главное зеркало.** Одна из самых важных частей телескопа-рефлектора. С его помощью лучи света собираются в один пучок. Это зеркало сделано из специального стекла и имеет защитное покрытие, так что ни в коем случае не трогай его.
6. **Искатель** – это маленький телескоп, который крепится к трубе большого телескопа. Искатель имеет небольшое увеличение и широкое поле зрения (то есть позволяет охватить взглядом большее пространство). С помощью искателя гораздо легче найти интересующий тебя объект, чтобы потом как следует рассмотреть его в телескоп.
7. **Крепление для искателя** нужно, чтобы установить искатель на трубу телескопа. **4**
8. **Юстировочные винты** искателя помогут настроиться на наблюдаемый объект максимально точно. Покрути винты так, чтобы изображение стало располагаться по центру. **7**
9. **Хомут** используется для устойчивого крепления трубы телескопа на монтировке.
10. **Фокусер** – это устройство, в которое вставляется окуляр. Фокусер нужен, чтобы перемещать окуляр ближе к объективу или дальше от него. Плавно меняя положение окуляра, ты сможешь добиться максимальной четкости изображения.
11. Если изображение в окуляре нечеткое, нужно осторожно покрутить **ручку фокусировки**. **6a 6b**
12. **Диагональное зеркало.** Когда ты хочешь рассмотреть объекты, находящиеся высоко над головой, используй диагональное зеркало, чтобы не запрокидывать голову. Это устройство устанавливается в фокусер и отклоняет лучи света, позволяя вести наблюдения из более удобного положения.
13. **Азимутальная монтировка** – это специальный механизм, с помощью которого ты сможешь передвигать трубу телескопа вверх-вниз и вправо-влево.
14. **Фиксатор оси азимута** служит для движения телескопа по горизонтали.
15. **Фиксатор оси высоты** используется для движения трубы телескопа по вертикали.
16. **Ручка регулировки по высоте** служит для фиксации телескопа после регулировки положения телескопа по вертикали и позволяет передвигать трубу телескопа более плавно используется для движения трубы телескопа по вертикали.
17. **Тренога.** Чтобы изображение в окуляре не дрожало, положение телескопа должно быть очень устойчивым. Для этого труба телескопа устанавливается на специальную опору – треногу.
18. **Фиксатор высоты ножек треноги** позволяет надежно зафиксировать высоту треноги после регулировки высоты ножек. Ослабь фиксаторы, чтобы выдвинуть или задвинуть ножки и, затяни фиксатор, чтобы зафиксировать высоту ножек треноги. **2**
19. **Лоток для аксессуаров** устанавливается между ножками треноги. На него ты можешь положить сменные окуляры, диагональное зеркало, линзу Барлоу и другие аксессуары телескопа. Лоток также помогает телескопу быть более устойчивым.

Как собрать телескоп

Чтобы телескоп работал как положено, важно правильно его собрать. Подробно изучи телескоп. Выучи названия всех его частей и их расположение. Запомни, зачем нужны все детали телескопа. Собирать телескоп лучше с кем-то из старших.

1. Открой коробку и вытащи все детали. Внимательно осмотри пустую коробку – мелкие детали могут затеряться.
2. Ослабь фиксаторы высоты ножек треноги и аккуратно вытянь нижнюю секцию каждой ножки треноги. Затяни фиксаторы, чтобы закрепить ножки в нужном положении (кроме модели LabZZ Tk50).

3. Раздвинь ножки треноги и установи ее на ровной поверхности так, чтобы ее положение было устойчивым.
4. Помести лоток для аксессуаров поверх крепления и закрепи его снизу фиксирующими барашковыми винтами или с помощью одного винта в центре (кроме модели LabZZ Tk50).
Важно! Не перетяни винты, чтобы не сорвать резьбу!
5. Ослабь винты искателя и задвинь его в крепление. Осторожно затяни винты. Искатель надо устанавливать так, чтобы труба телескопа и труба искателя смотрели в одну сторону. Выбери удаленный объект на расстоянии не менее 500 метров от тебя и нацель на него телескоп. Отрегулируй телескоп так, чтобы объект попал в центр поля зрения окуляра. Убедись, что объект, центрированный в трубе телескопа, находится в центре визирной сетки искателя. Используя три юстировочных винта, центрируй визирную сетку искателя на объекте.

Как установить монтировку

Безвилочная конструкция 3a

- Выкрути фиксатор высоты из головки треноги.
- Установи трубу на азимутальную монтировку так, чтобы отверстие на трубе совпало с отверстием в головке треноги.
- Продень фиксатор высоты в отверстия на трубе и в головке треноги. Закрепи трубу телескопа на монтировке, затянув фиксатор.

Вилочная конструкция 3b

- Выкрути винт из ручки регулировки по высоте.
- Вставь ручку регулировки высоты в боковое отверстие вилочной монтировки.
- Вдвинь трубу телескопа так, чтобы отверстия на трубе совпали с отверстиями вилочной монтировки. Закрепите трубу телескопа на монтировке, соединив барашковыми винтами отверстия трубы и монтировки.
- Закрепите другой конец ручки регулировки по высоте на трубе, соединив винтом отверстия ручки и трубы телескопа.

Как работать с телескопом

Перед началом наблюдения важно правильно установить окуляры и дополнительные детали.

Фокусер. Прокрути ручку фокусировки от себя, пока трубка фокусера не пойдет внутрь до конца. Затем начинай медленно крутить ручки фокусировки на себя, пока изображение не станет четким. 6a 6b **Важно!** Перед фокусировкой (настройкой четкости) убедись, что в фокусер вставлен окуляр. Без него ты не увидишь изображение.

Оборачивающий окуляр. В коробке с телескопом ты найдешь оборачивающий окуляр (кроме модели LabZZ TK76). Оборачивающий окуляр можно использовать для наблюдения Луны и планет, а еще с его помощью ты сможешь изучить множество далеких наземных предметов: труб, антенн или зданий! **Важно!** Оборачивающий окуляр нужно устанавливать сразу в фокусер, без диагонального зеркала.

Диагональное зеркало. Вытащи оборачивающий окуляр и вставь диагональное зеркало в трубку фокусера.

Окуляры. Когда диагональное зеркало вставлено в фокусер, установи в него окуляр. Начинать наблюдения всегда лучше с окуляра с небольшим увеличением и широким обзором. Чем меньше число на окуляре, тем выше увеличение. 5a 5b

Линза Барлоу. Линза Барлоу используется вместе с окулярами для достижения максимального увеличения. При использовании линзы Барлоу уменьшается поле зрения, а фокусное расстояние телескопа становится больше (вдвое, если используется линза Барлоу 2x, и втрое, если используется линза Барлоу 3x). Помимо дополнительного увеличения преимущества использования линзы Барлоу заключаются в улучшенном выносе зрачка и уменьшении сферических искажений в окуляре. Но самое большое преимущество линзы Барлоу состоит в том, что при том же количестве окуляров в вашей коллекции вам доступен больший диапазон увеличений.

Как начать наблюдения

**ВНИМАНИЕ! Никогда не смотри в телескоп на Солнце и небо рядом с ним!
Так можно необратимо повредить зрение и даже ослепнуть!**

Прежде чем начать изучение космоса, научись пользоваться телескопом днем. Используй оборачивающий окуляр, чтобы рассмотреть различные наземные объекты: дома, деревья, антенны на крышах и многое другое! Так ты научишься управлять телескопом и фокусироваться на нужном объекте. Кроме того, это очень интересно!

Важно! Телескоп следует установить в месте, защищенном от ветра.

Изучение Луны, планет и звезд лучше всего проводить вдали от светящихся окон, фонарей и фар машин. Старайся выбирать такие ночи, когда звезды светят ярко и ровно.

Наведи телескоп на выбранный объект, например Луну. Глядя в искатель, медленно перемещай трубу телескопа, пока объект не окажется в центре. Посмотри в окуляр телескопа — и ты увидишь увеличенное изображение объекта!

Пользуясь телескопом, будь аккуратным и терпеливым. Телескоп — очень чувствительный инструмент. Не двигай и не толкай его. После небольшой тренировки ты легко научишься передвигать трубу телескопа так, чтобы не потерять изображение из поля зрения окуляра.

Технические характеристики

	LabZZ TK50	LabZZ TK60	LabZZ TK76
Оптическая схема	рефрактор-ахромат		рефлектор Ньютона
Материал оптики	оптическое стекло с антибликовым покрытием		
Апертура, мм	50	60	76
Фокусное расстояние, мм	360	700	700
Макс. полезное увеличение, крат	100	120	152
Светосила	f/7	f/11,6	f/9
Материал трубы	металл		
Монтировка	азимутальная (AZ)		
Посадочный диаметр окуляров	0,965"		1,25"
Тренога	алюминиевая, 350 мм	алюминиевая, 600–1000 мм	
Лоток для аксессуаров	–	+	
Искатель	–	5x24, оптический	
Окуляры	6 мм, 20 мм	4 мм, 12,5 мм, 20 мм	
Диагональное зеркало	90°		–
Линза Барлоу	–	3x	2x
Оборачивающий окуляр	1,5x		–

Производитель оставляет за собой право вносить любые изменения или прекращать производство изделия без предварительного уведомления.

Уход и хранение

- **Никогда не смотрите в прибор на Солнце или область рядом с ним без специального фильтра, а также на другой источник яркого света или лазерного излучения. ЭТО ОПАСНО ДЛЯ ЗРЕНИЯ И МОЖЕТ ПРИВЕСТИ К СЛЕПОТЕ!**
- Будьте внимательны, если пользуетесь прибором вместе с детьми или людьми, не знакомыми с инструкцией.
- Не разбирайте прибор (в том числе и для очистки зеркал). Сервисные и ремонтные работы могут проводиться только в специализированном сервисном центре.
- Оберегайте прибор от резких ударов и чрезмерных механических воздействий.
- Не касайтесь пальцами поверхностей линз. Для внешней очистки телескопа используйте специальную салфетку и специальные чистящие средства, например оригинальные средства Levenhuk для чистки оптики.
- Храните прибор в сухом прохладном месте, недоступном для воздействия кислот или других активных химических веществ, вдали от отопителей (бытовых, автомобильных) и от открытого огня и других источников высоких температур.
- Когда прибор не используется, всегда надевайте на него пылезащитную крышку. Это защищает поверхность линз и зеркал от попадания пыли.
- **Дети могут пользоваться телескопом только под присмотром взрослых.**

Международная пожизненная гарантия Levenhuk

Компания Levenhuk гарантирует отсутствие дефектов в материалах конструкции и дефектов изготовления изделия. Продавец гарантирует соответствие качества приобретенного вами изделия компании Levenhuk требованиям технической документации при соблюдении потребителем условий и правил транспортировки, хранения и эксплуатации изделия. Срок гарантии – **6 (шесть) месяцев** со дня покупки, на остальные изделия – **пожизненная гарантия** (действует в течение всего срока эксплуатации прибора). Гарантия позволяет бесплатно отремонтировать или обменять продукт Levenhuk, подпадающий под условия гарантии, в любой стране, где есть офис Levenhuk. Подробнее об условиях гарантийного обслуживания см. на сайте www.levenhuk.ru/support
 Когда прибор не используется, всегда надевайте на него пылезащитную крышку. Это защищает поверхность линз и зеркал от попадания пыли.

Levenhuk optics cleaning tools

For cleaning the binoculars optics the original Levenhuk cleaning accessories are recommended.



Levenhuk USA: 928 E 124th Ave. Ste D, Tampa, FL 33612, USA, +1 813 468-3001, contact_us@levenhuk.com
Levenhuk Europe: V Chotejně 700/7, 102 00 Prague 102, Czech Republic, +420 737-004-919, sales-info@levenhuk.cz
Levenhuk®, LabZZ® are registered trademarks of Levenhuk, Inc.
© 2006–2021 Levenhuk, Inc. All rights reserved.
20201229

levenhuk
Zoom&Joy